

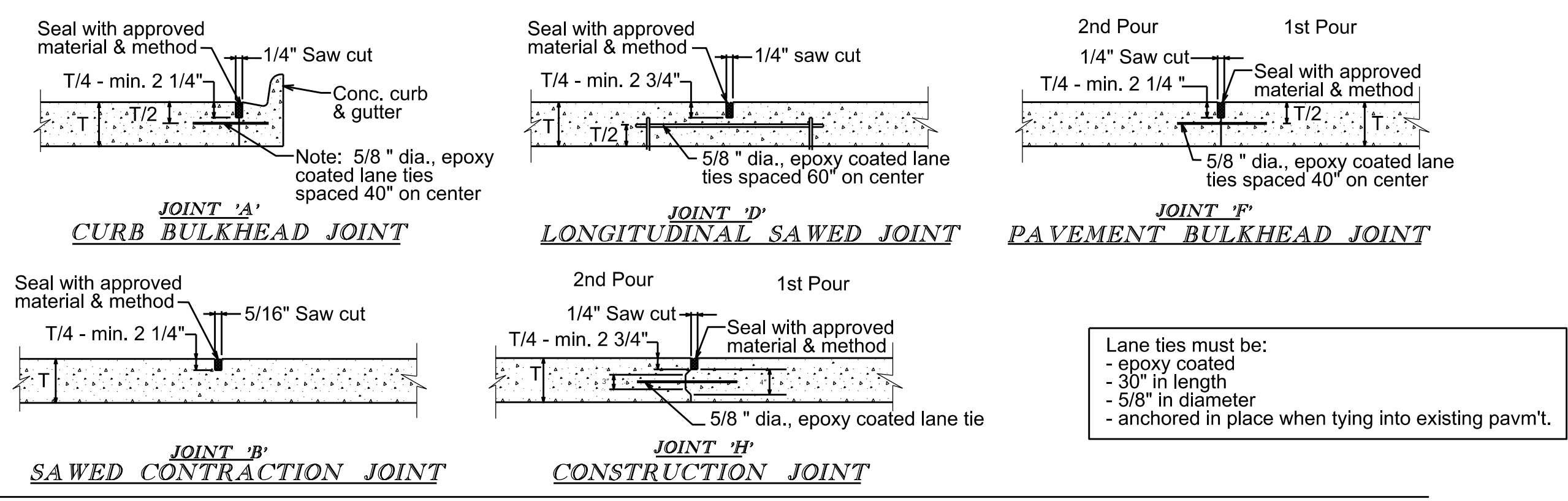
**LONGITUDINAL JOINTS**

**JOINT A** Curb bulkhead joint, 1/4" x 2 1/4" saw cut filled with hot-poured rubber asphalt joint sealer, epoxy coated lane ties spaced at 40" centers.

**JOINT F** Pavement bulkhead joint, epoxy coated lane ties at 40" centers 1/4" x 2 1/4" saw cut filled with hot-poured rubber asphalt joint sealer.

**JOINT D** Saw cut, 1/4" x 2 3/4" filled with hot-poured rubber asphalt joint sealer, 5/8" x 30" tie bars spaced at 60" centers (24' pavement width required)

Longitudinal joints shall be sawed. no premolded joint fillers will be allowed or approved.



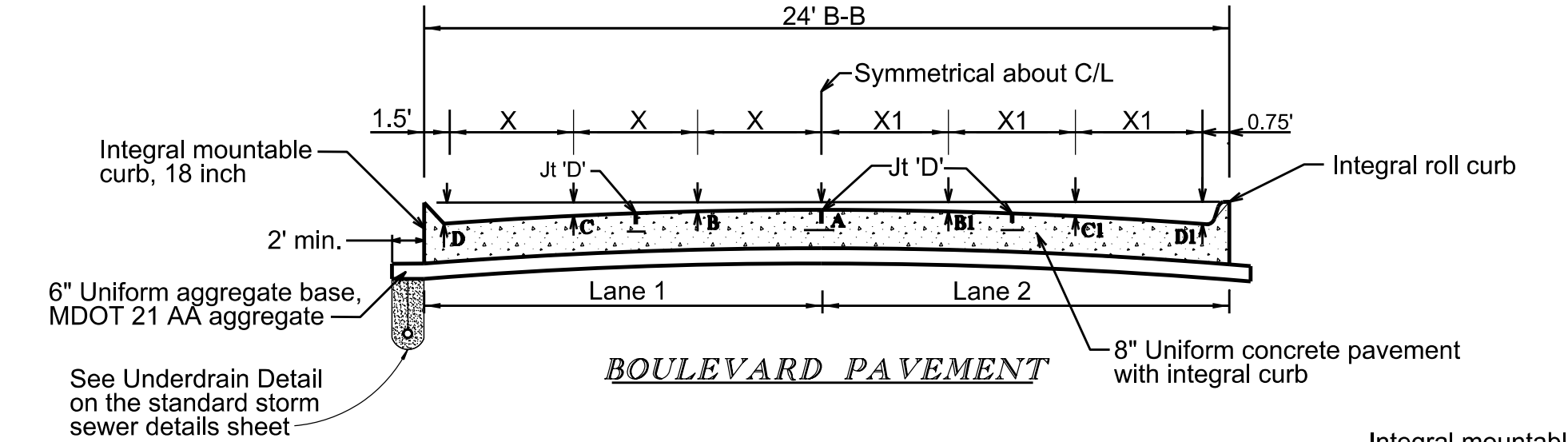
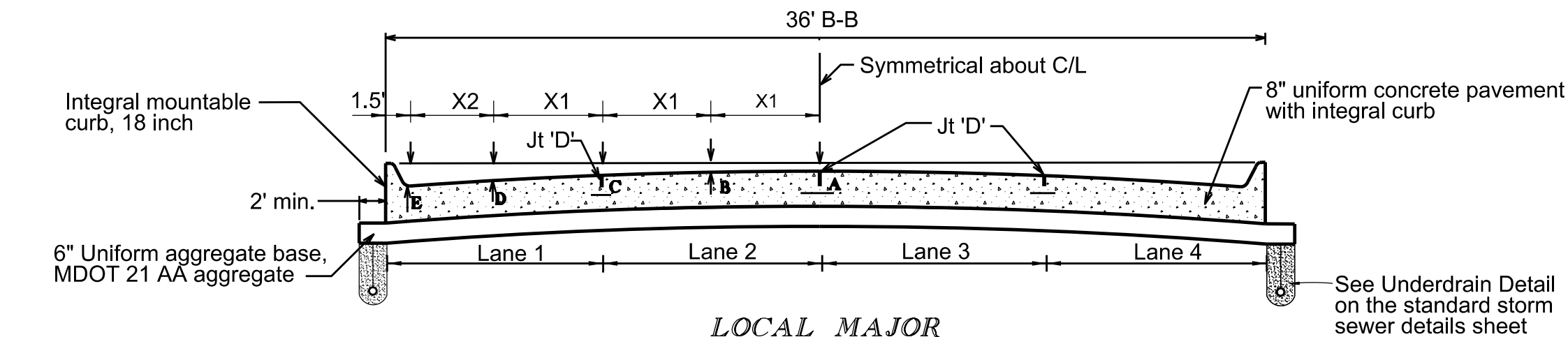
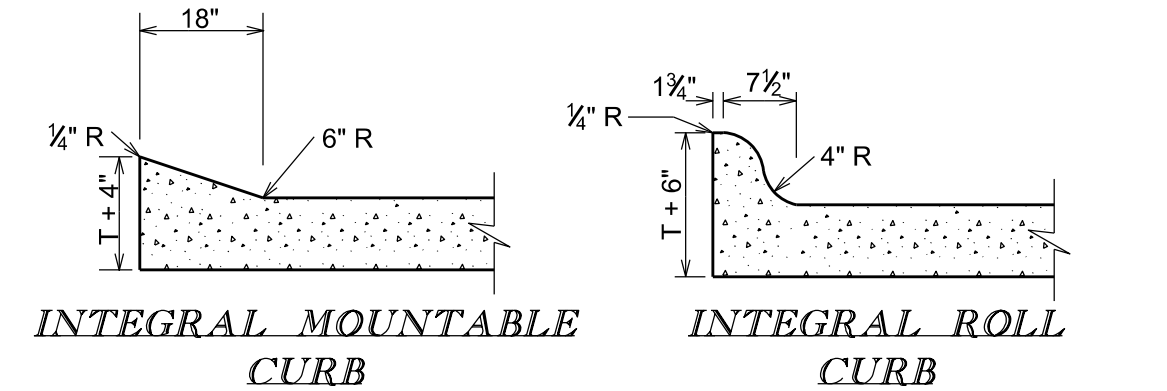
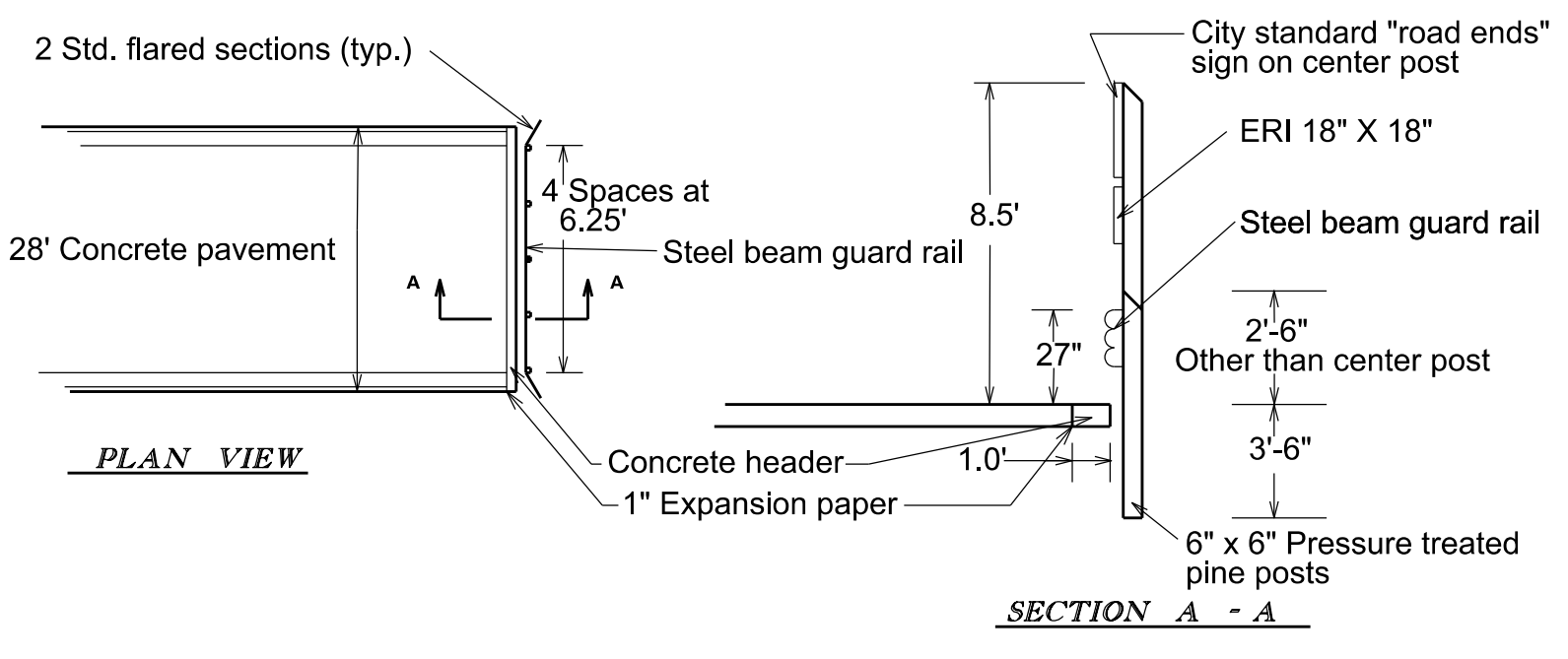
**TRANSVERSE JOINTS**

**JOINT B** Plane of weakness joints shall be cut at +/- 15' intervals; joints shall be sawed 2 1/4" x 5/16" and filled with hot-poured rubber asphalt joint sealer.

**JOINT H** Sawcut 1/4" x 2 3/4" filled with hot-poured rubber asphalt joint sealer. (plane of weakness joint - end of pour) 5/8" dia. x 30" long deformed epoxy coated tie bar at 24" c. to c.

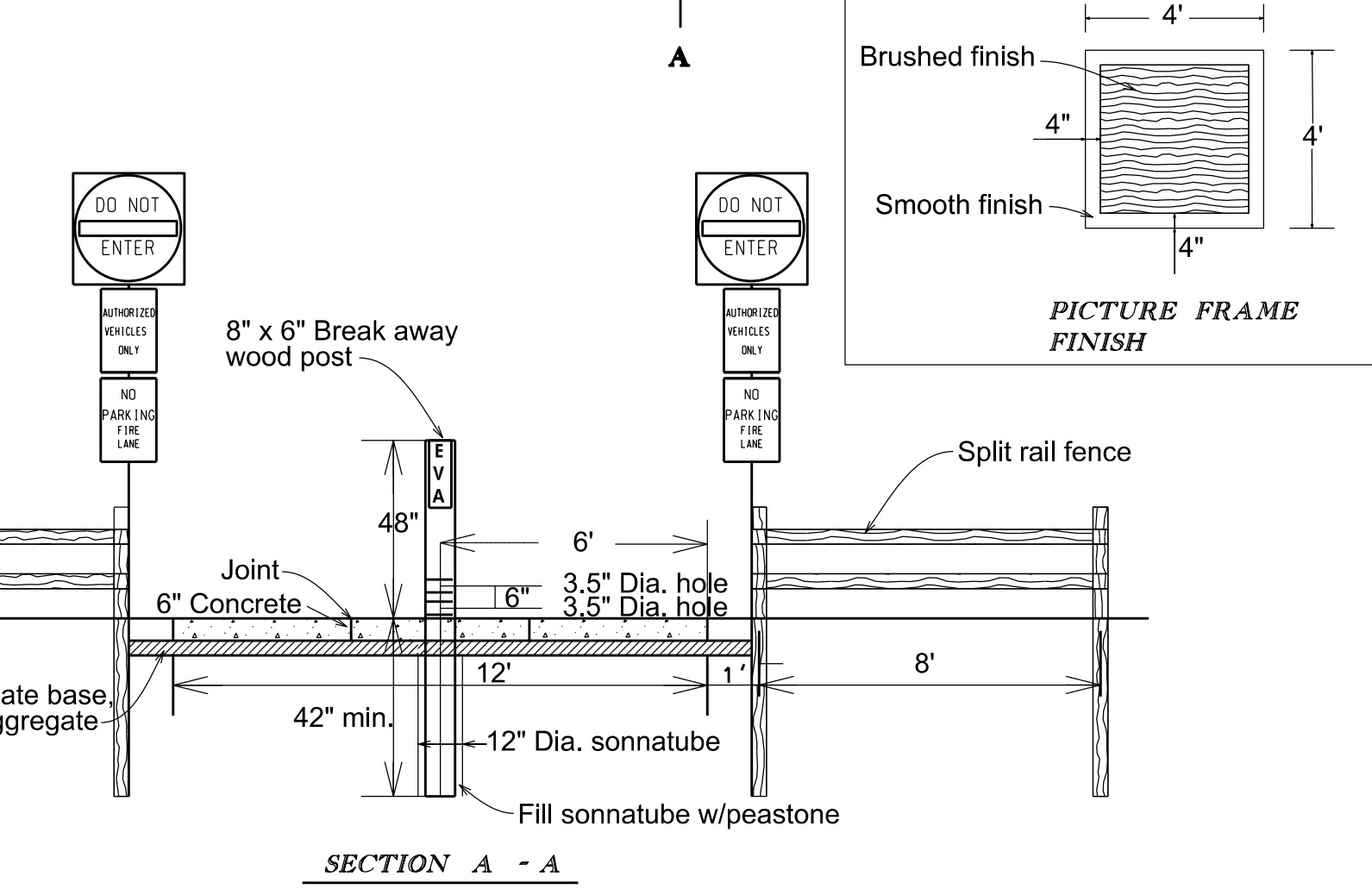
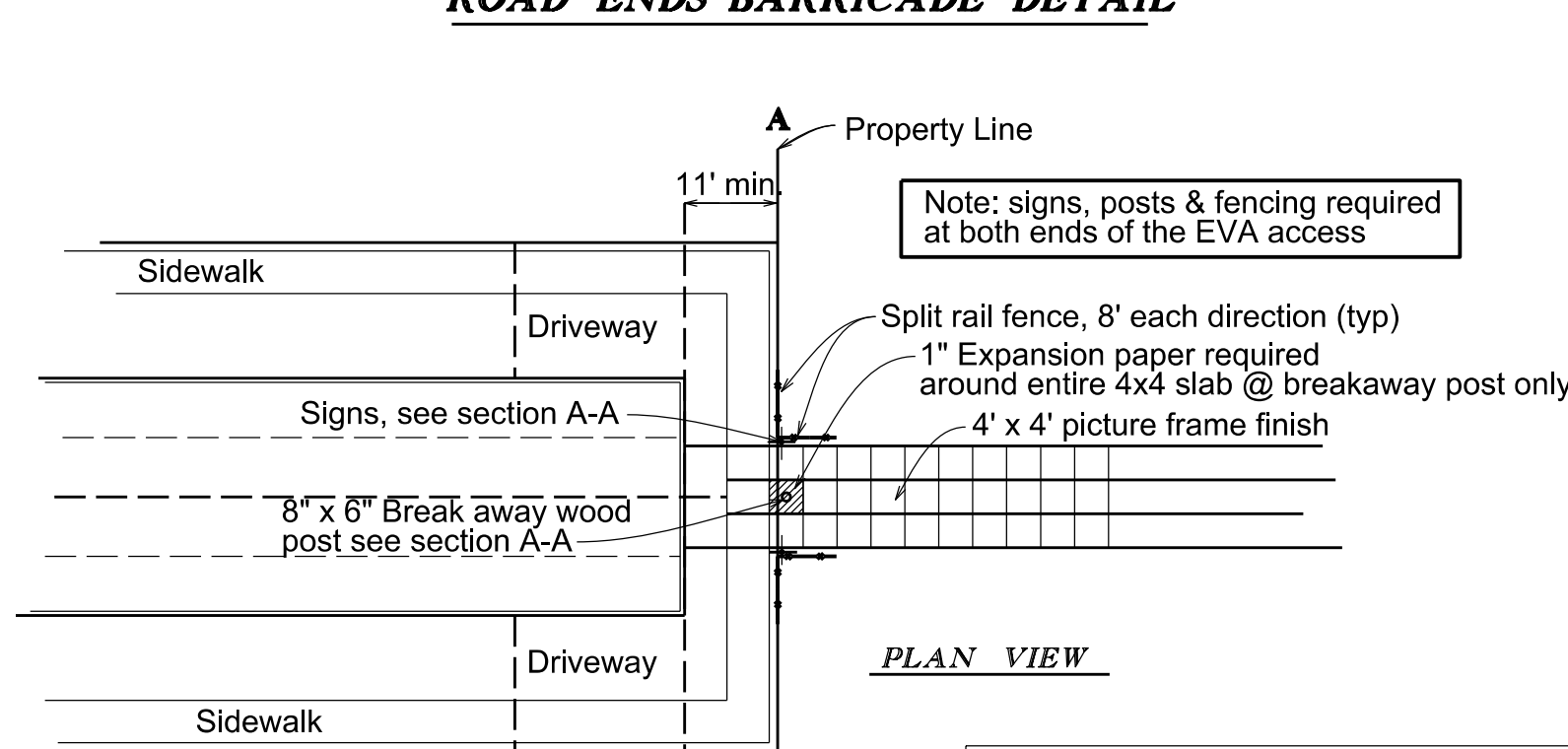
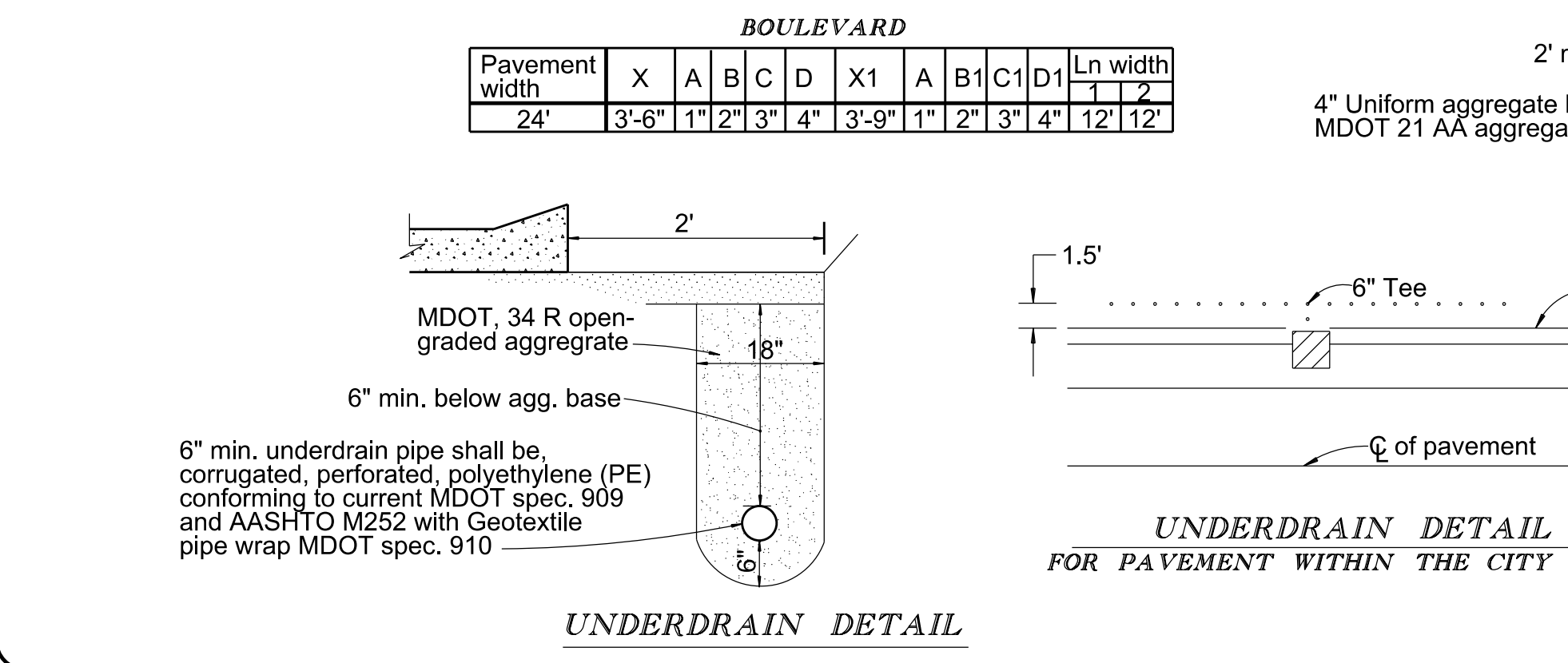
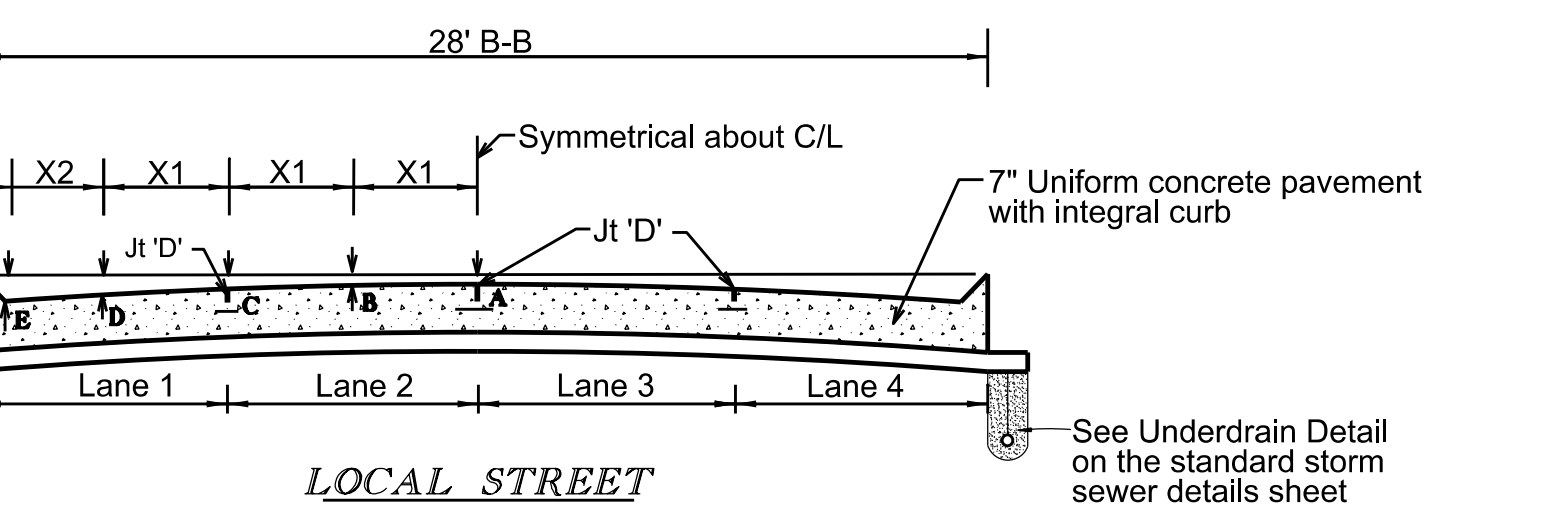
A premolded transverse joint shall be installed every 60' with transverse sawed joint placed every 15'.

Michigan manual of uniform traffic control devices erl 18" x 18" & w14-2a, 30" x 30" road ends sign made of reflectorized scotchlite sheeting on 0.08" anodized aluminum



**LOCAL & MAJOR LOCAL (MOUNTALBE CURB)**

Pavm't width	X1	X2	A	B	C	D	E	Ln width
28'	3'-6"	2'-0"	1"	1 1/2"	2 1/4"	3 1/2"	4"	7' 7"
36'	4'-8"	3'-0"	2"	3 3/4"	3 3/4"	5"	6"	9' 9"



**EMERGENCY VEHICLE ACCESS (EVA) DETAIL**

**STANDARD LOCAL ROAD PAVING DETAILS**

ENGINEERING DEPARTMENT

APPROVED BY: WILLIAM J. HUOTARI, CITY ENGINEER

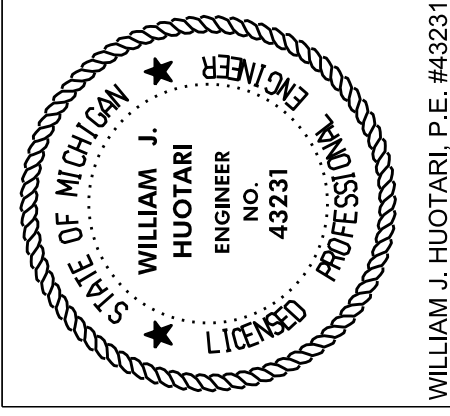
DATE: JUNE 2019

REMARKS

DATE: APRIL 2019

GENERAL UPDATES

SN01S1A3B



**CONTRACTOR NOTE:** The locations of existing underground utilities are shown on the plan view only. The contractor shall determine the exact location of all existing utilities before commencing work. They agree to be fully responsible for any damages which might be occasioned by their failure to exactly locate and preserve any and all underground utilities.

www.mesagp.net

1-800-442-7171

**3 FULL WORKING DAYS BEFORE YOU DIG CALL 811**

**Know what's below Call before you dig**

MSDD 811 System, Inc.

**CONTRACT NO. XX-XX**

**PROJECT NO. XX-XXX-X**