

**Town of Hurlock  
P.O. Box 327  
Hurlock, Maryland 21643  
(410) 943-4181  
FAX (410) 943-8556**

**APPLICATION FOR BUILDING PERMIT**

Permit Application No. \_\_\_\_\_

Date of Application Submittal \_\_\_\_\_

Date of Approval \_\_\_\_\_

Owner Name \_\_\_\_\_ Phone: Work \_\_\_\_\_  
Address \_\_\_\_\_ Home \_\_\_\_\_  
\_\_\_\_\_

Construction Location \_\_\_\_\_  
\_\_\_\_\_

Type of Construction: \_\_\_\_\_ New Building \_\_\_\_\_ Renovations/Repairs  
\_\_\_\_\_ Alteration \_\_\_\_\_ Addition \_\_\_\_\_ Other \_\_\_\_\_

Estimated Cost of Work \_\_\_\_\_

Brief Description of Work \_\_\_\_\_  
\_\_\_\_\_  
\_\_\_\_\_

Square Footage of Construction \_\_\_\_\_ Fee \$ \_\_\_\_\_

Name of Contractor/Builder \_\_\_\_\_  
Address \_\_\_\_\_

Phone # \_\_\_\_\_

License No. : Contractor's Lic. # \_\_\_\_\_ MHIC \_\_\_\_\_

Electrician Name \_\_\_\_\_ Lic. # \_\_\_\_\_

Plumber Name \_\_\_\_\_ Lic. # \_\_\_\_\_

Lot Size: Length \_\_\_\_\_ Width \_\_\_\_\_ Area \_\_\_\_\_

Zoning Classification \_\_\_\_\_ 100 Year Floodplain: \_\_\_ Yes \_\_\_ No

Applicant Name (if not owner) \_\_\_\_\_

Address \_\_\_\_\_

Address \_\_\_\_\_

Phone No: (Work) \_\_\_\_\_ (Home) \_\_\_\_\_

**DRAWING REQUIRED:** The applicant is to submit a drawing showing the location of any structures to be placed or constructed in accordance with this permit. The drawing is to show the location of the new structure, its proximity to lot lines and the distance to the nearest other structure on the site. One copy of the drawing is adequate as long as it is prepared in black ink on white paper and does not exceed 11" x 17". If the drawing does not meet these requirements, two copies must be submitted with the completed application. For certain construction projects, drawings must be prepared and sealed by a licensed architect/engineer.

---

**FOR NEW HOMES ONLY:** Check one and complete.

\_\_\_\_\_ a. New home to be constructed directly by landowner for owner's own use.  
I hereby affirm that this permit is solely for the purpose of my performing work on my own property.

\_\_\_\_\_  
Owner's Signature

\_\_\_\_\_  
Date

**OR**

\_\_\_\_\_ b. MHBR No. \_\_\_\_\_

\_\_\_\_\_  
Name of License Holder

---

**I have accurately completed this application to the best of my knowledge. I understand that it is the owner's responsibility to obtain necessary erosion/sediment control permits from the Dorchester County Highway Department. I, also, understand that it is the owner's responsibility to determine from the Maryland Department of Natural Resources whether non-tidal wetlands are impacted by this construction. I agree to contact the Hurlock Town Hall (410-943-4181) to inspect water and/or sewer connections to the Town utilities at the street prior to covering with dirt. I understand all other plumbing related inspections and approvals are conducted by Dorchester County Planning and Zoning (410-228-3234). I understand that I will not receive Town water service until I have received final plumbing approval from the County.**

\_\_\_\_\_  
Date

\_\_\_\_\_  
Owner's Signature

**Notes:**

---

---

---

---

---

---

**FOR OFFICE USE ONLY**

**Interdepartment Check-off List**

<b>Name</b>	<b>Title</b>	<b>Date</b>	<b>Initials</b>
<b>M.D.I.A.</b>	<b>Building Inspector</b>		
<b>John Avery</b>	<b>Town Administrator</b>		

**FOR DORCHESTER COUNTY PLANNING & ZONING TO COMPLETE:**

**Does Dorchester County Excise Tax Apply?**

\_\_\_\_\_ **Yes**

\_\_\_\_\_ **No**

**If yes,**

**Cost of Dorchester County Excise Tax** \_\_\_\_\_

**Date Excise Tax Paid** \_\_\_\_\_

Applicant Name (if not owner) \_\_\_\_\_

Address \_\_\_\_\_

Address \_\_\_\_\_

Phone No: (Work) \_\_\_\_\_ (Home) \_\_\_\_\_

**DRAWING REQUIRED:** The applicant is to submit a drawing showing the location of any structures to be placed or constructed in accordance with this permit. The drawing is to show the location of the new structure, its proximity to lot lines and the distance to the nearest other structure on the site. One copy of the drawing is adequate as long as it is prepared in black ink on white paper and does not exceed 11" x 17". If the drawing does not meet these requirements, two copies must be submitted with the completed application. For certain construction projects, drawings must be prepared and sealed by a licensed architect/engineer.

---

**FOR NEW HOMES ONLY:** Check one and complete.

\_\_\_\_\_ a. New home to be constructed directly by landowner for owner's own use.  
I hereby affirm that this permit is solely for the purpose of my performing work on my own property.

\_\_\_\_\_  
Owner's Signature

\_\_\_\_\_  
Date

**OR**

\_\_\_\_\_ b. MHBR No. \_\_\_\_\_

\_\_\_\_\_  
Name of License Holder

---

**I have accurately completed this application to the best of my knowledge. I understand that it is the owner's responsibility to obtain necessary erosion/sediment control permits from the Dorchester County Highway Department. I, also, understand that it is the owner's responsibility to determine from the Maryland Department of Natural Resources whether non-tidal wetlands are impacted by this construction. I agree to contact the Hurlock Town Hall (410-943-4181) to inspect water and/or sewer connections to the Town utilities at the street prior to covering with dirt. I understand all other plumbing related inspections and approvals are conducted by Dorchester County Planning and Zoning (410-228-3234). I understand that I will not receive Town water service until I have received final plumbing approval from the County.**

\_\_\_\_\_  
Date

\_\_\_\_\_  
Owner's Signature

# Deck Detail Sheet

1. Footing Type \_\_\_\_\_
2. Post Size \_\_\_\_\_
3. Joist Size \_\_\_\_\_
4. Floor Material \_\_\_\_\_
5. Distance Above Finished Grade \_\_\_\_\_
6. Distance Between Post \_\_\_\_\_
7. Size of Beam/Girder *2x6* \_\_\_\_\_

Note: When Deck Is Attached To House, Please State Method of Attachment:

- A. Joist Hangers At Both Ends
- B. With Beam Under Joist

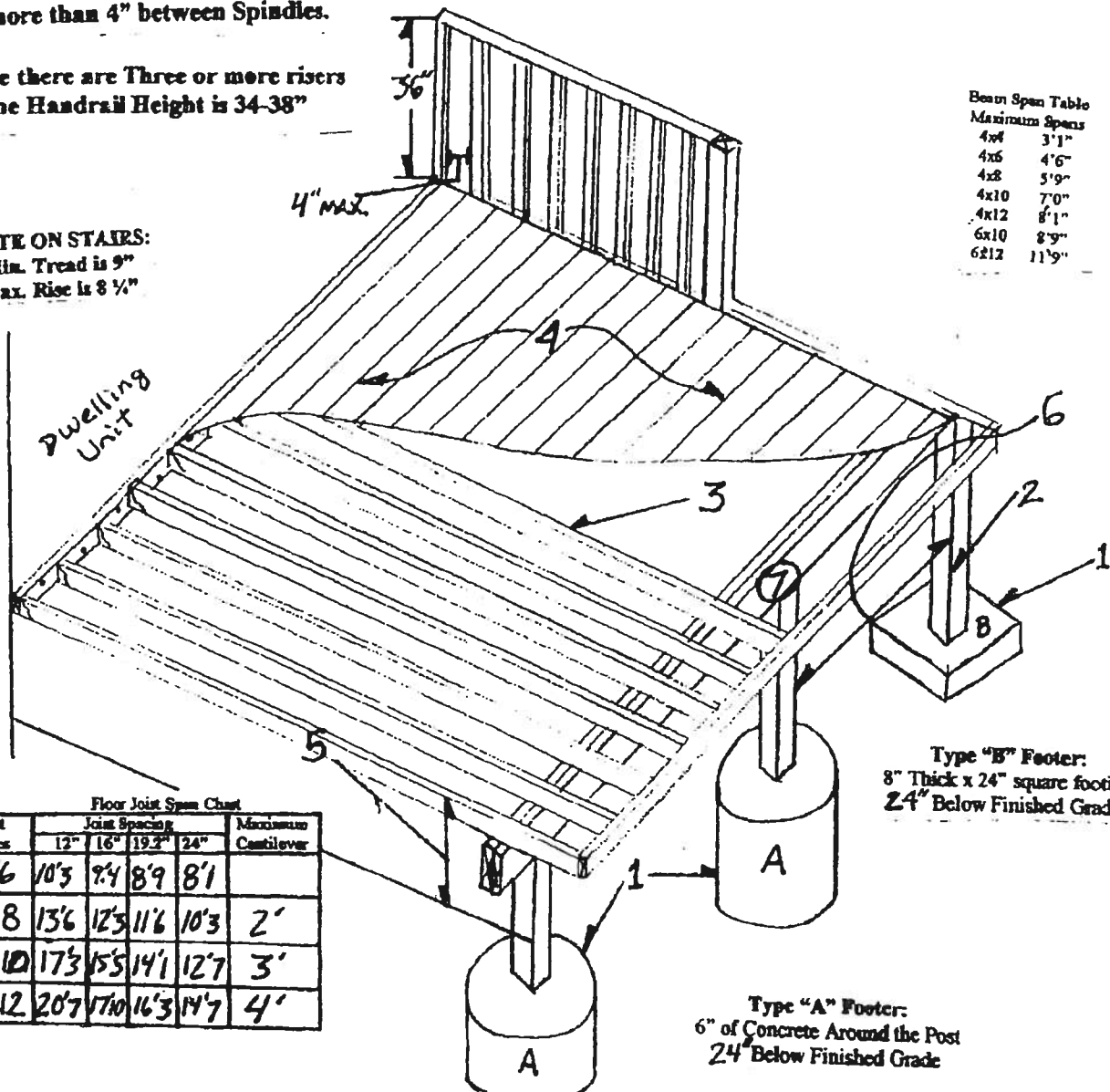
Minimum Guardrail Height is 36"  
Not more than 4" between Spindles.

Where there are Three or more risers  
The Handrail Height is 34-38"

NOTE ON STAIRS:  
Min. Tread is 9"  
Max. Rise is 8 1/2"

Beam Span Table  
Maximum Spans

4x4	3'1"
4x6	4'6"
4x8	5'9"
4x10	7'0"
4x12	8'1"
6x10	8'9"
6x12	11'9"



Type "B" Footer:  
8" Thick x 24" square footing  
24" Below Finished Grade

Type "A" Footer:  
6" of Concrete Around the Post  
24" Below Finished Grade

Floor Joist Span Chart

Joist Sizes	Joist Spacing				Maximum Cantilever
	12"	16"	19.2"	24"	
2X6	10'3"	8'4"	8'9"	8'1"	
2X8	13'6"	12'5"	11'6"	10'3"	2'
2X10	17'3"	15'5"	14'1"	12'7"	3'
2X12	20'7"	17'10"	16'3"	14'7"	4'

USE TO COPY

BUILDING DETAIL SHEET

- 1. Footing Size \_\_\_\_\_
- 2. Pier Footing Size \_\_\_\_\_
- 3. Foundation Block Size \_\_\_\_\_
- 4. Column/Pier Size \_\_\_\_\_
- 5. Beam Size \_\_\_\_\_
- 6. First Floor Joist Size \_\_\_\_\_
- 6a. Second Floor Joist Size \_\_\_\_\_
- 6b. Length & Spacing \_\_\_\_\_
- 7. Floor Sheathing/Material \_\_\_\_\_
- 8. Wall Studs 2X \_\_\_\_\_ @ \_\_\_\_\_ Centers
- 9. Ceiling Joist Size \_\_\_\_\_

- 9a. Length & Spacing \_\_\_\_\_
- 10. Header Sizes \_\_\_\_\_
- 11. Roof Rafters \_\_\_\_\_
- 11a. Length & Spacing \_\_\_\_\_
- 12. Wall Sheathing \_\_\_\_\_
- 13. Roof Sheathing \_\_\_\_\_
- 14. Roof Pitch & Style \_\_\_\_\_
- 15. Insulation Value: Walls \_\_\_\_\_  
Floors \_\_\_\_\_ Ceiling \_\_\_\_\_
- 16. Roof Material \_\_\_\_\_

