



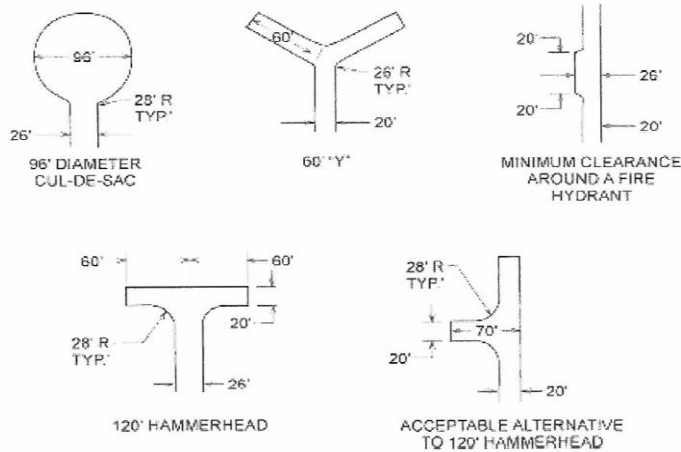
PH. (843) 918-1192

FAX (843) 918-1204

# City of Myrtle Beach SOUTH CAROLINA FIRE DEPARTMENT

I-Quest 2006 Codes Complete Collection

**FIGURE D103.1  
DEAD-END FIRE APPARATUS ACCESS ROAD TURNAROUND**



For SI: 1 foot = 304.8 mm.

**D103.2 Grade.**

Fire apparatus access roads shall not exceed 10 percent in grade.

**Exception:** Grades steeper than 10 percent as approved by the fire chief.

**D103.3 Turning radius.**

The minimum turning radius shall be determined by the fire code official.

**D103.4 Dead ends.**

Dead-end fire apparatus access roads in excess of 150 feet (45 720 mm) shall be provided with width and turnaround provisions in accordance with Table D103.4.

COPYRIGHT © 2006 by INTERNATIONAL CODE COUNCIL, INC.



PH. (843) 918-1192

FAX (843) 918-1204

**City of Myrtle Beach**  
SOUTH CAROLINA  
**FIRE DEPARTMENT**