



RESIDENTIAL DECK & PATIO APPLICATION

Property Location _____

Property Owner _____ Phone # _____

Address _____ Email _____

Contractor _____ PA# _____ Email _____

Address _____ Phone # _____

1. Size: Max. Length _____ Max. Width _____ Max. Height _____ (from floor of deck to ground surface)
Total square feet of deck/patio floor _____
2. Is the ground below the deck permeable? _____
3. Describe the permeability or impermeability of the ground surface below the deck. _____

4. Footing: Depth below grade (36" min.) _____ Diameter/Width (12" min) _____
5. Support Post: Size _____ Spacing _____ Main Beam: Size _____
6. Guard Rail: Height from floor (36" min.) _____ Spacing between pickets (4" max.) _____
7. Floor Joist: Size _____ Spacing _____ Max. Span _____
8. Stairway Specifications: Depth of Tread _____ Height of Riser _____
9. Stairway Handrail Specifications: (Stairway handrails must provide graspability.)
 - a. Circular handrails: Outside Diameter (1 1/4" min. - 2" max.) _____
 - b. Non-circular handrails: Max Cross-Section Dimension (2 1/4" max.) _____
Handrails with a perimeter greater than 6 1/4" shall provide graspable finger access area on both sides of the profile.)
10. **Submit a detail showing the type and location of the Lateral Support Brackets.**
11. **Submit a detail showing how the deck joist is connected to the main beam and the main beam to the support posts.**
12. Band joist and deck ledger size, material, type connector, and spacing (ledger locks must be installed to manufacturer specifications.)
13. Location on Lot: Using the graph on page two of this application, **draw a plot plan showing the boundary of the property and the location of all required features and structures listed.**
14. Is there a hot tub? No _____ Yes _____
 - a. If yes, does the hot tub have a safety cover that complies with ASTM F 1346? No _____ Yes _____
15. **A complete set of DETAILED PLANS must be submitted with this application.**

_____ Cost of Improvement

_____ Application Date

_____ Signature of Applicant

Note: Any applicant that is unable to provide the required detailed information and plans as stated above should contact an architect or other design professional for assistance.

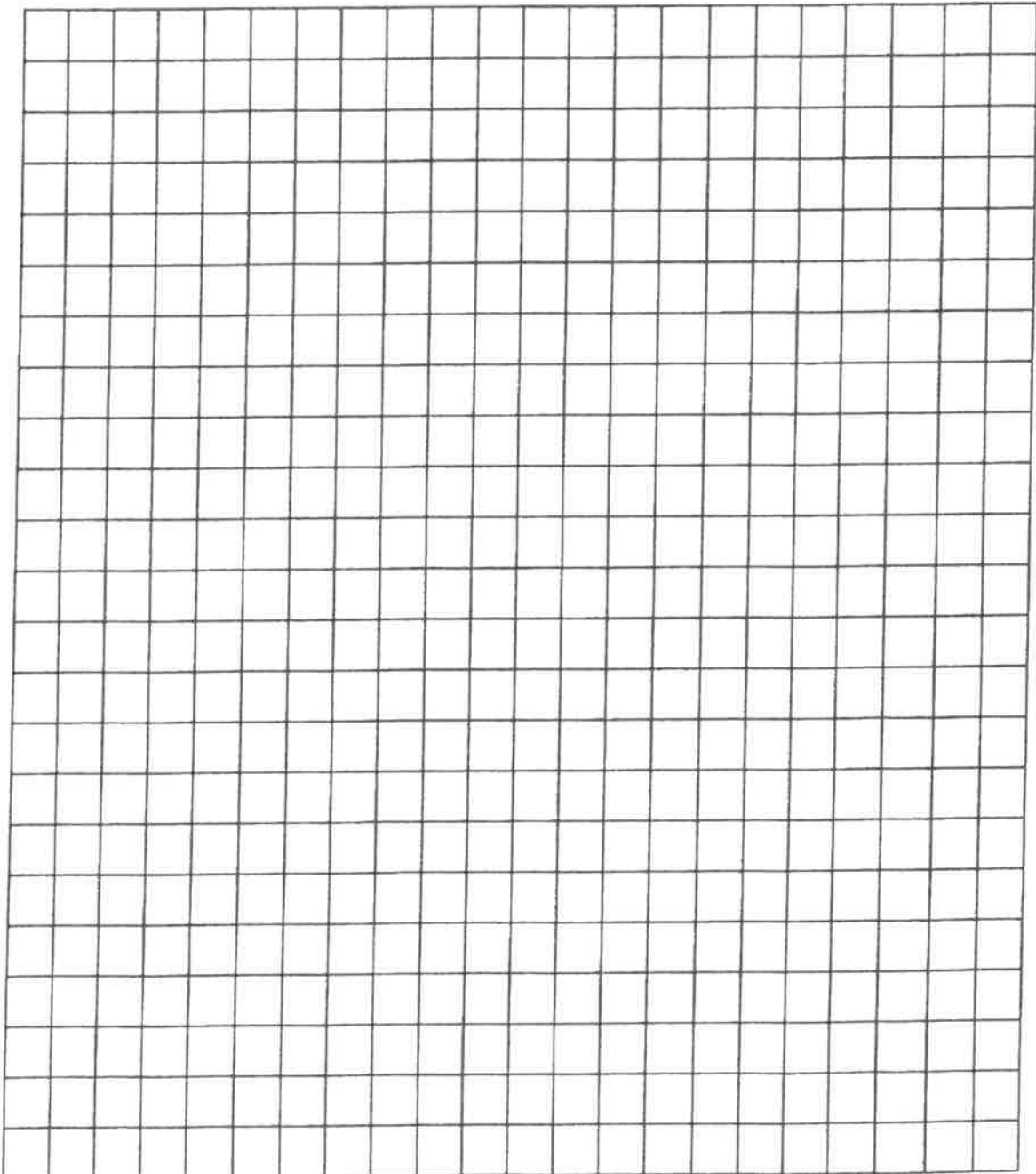
Please check that the following are enclosed:

- Detail showing the type and location of the Lateral Support Brackets. _____
- Detail showing how the deck joist is connected to the main beam & main beam to the support posts. _____
- Graph on page 2 shows the listed items a-e. _____
- Complete set of detailed plans. _____

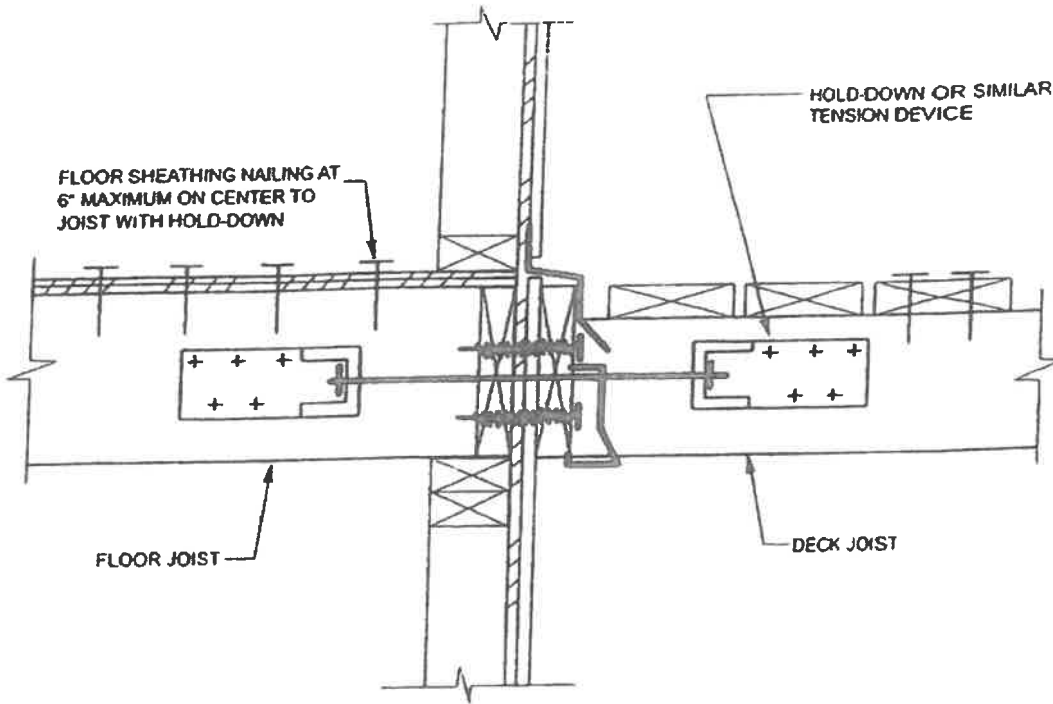
Location of Improvements

Submit a plot plan of the boundry of the property, to scale, showing the following improvements:

- a. Location of all existing and proposed structures and buildings.
- b. On-lot septic systems, tanks, drain fields and wells.
- c. All public and private roads that border the property including driveways, parking/loading areas, etc...
- d. All streams, ponds, etc...
- e. Any easment or right of ways.



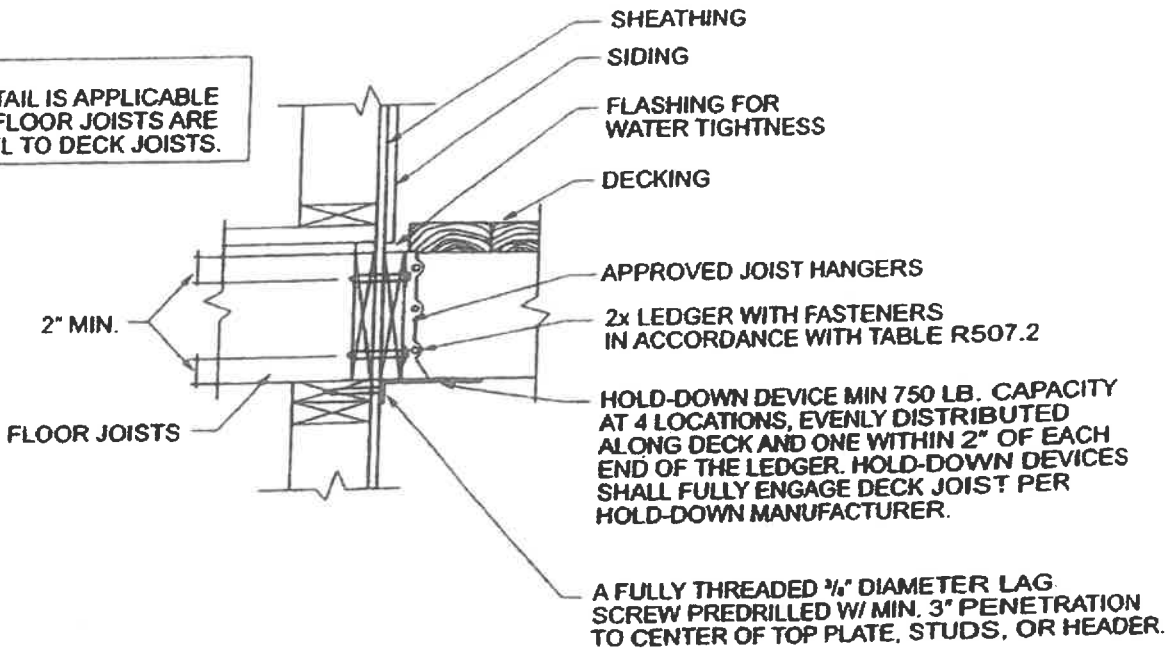
FLOORS



For SI: 1 inch = 25.4 mm.

FIGURE 507.2.3(1)
DECK ATTACHMENT FOR LATERAL LOADS

NOTE:
THIS DETAIL IS APPLICABLE
WHERE FLOOR JOISTS ARE
PARALLEL TO DECK JOISTS.



For SI: 1 inch = 25.4 mm, 1 foot = 304.8 mm.

FIGURE R507.2.3(2)
DECK ATTACHMENT FOR LATERAL LOADS