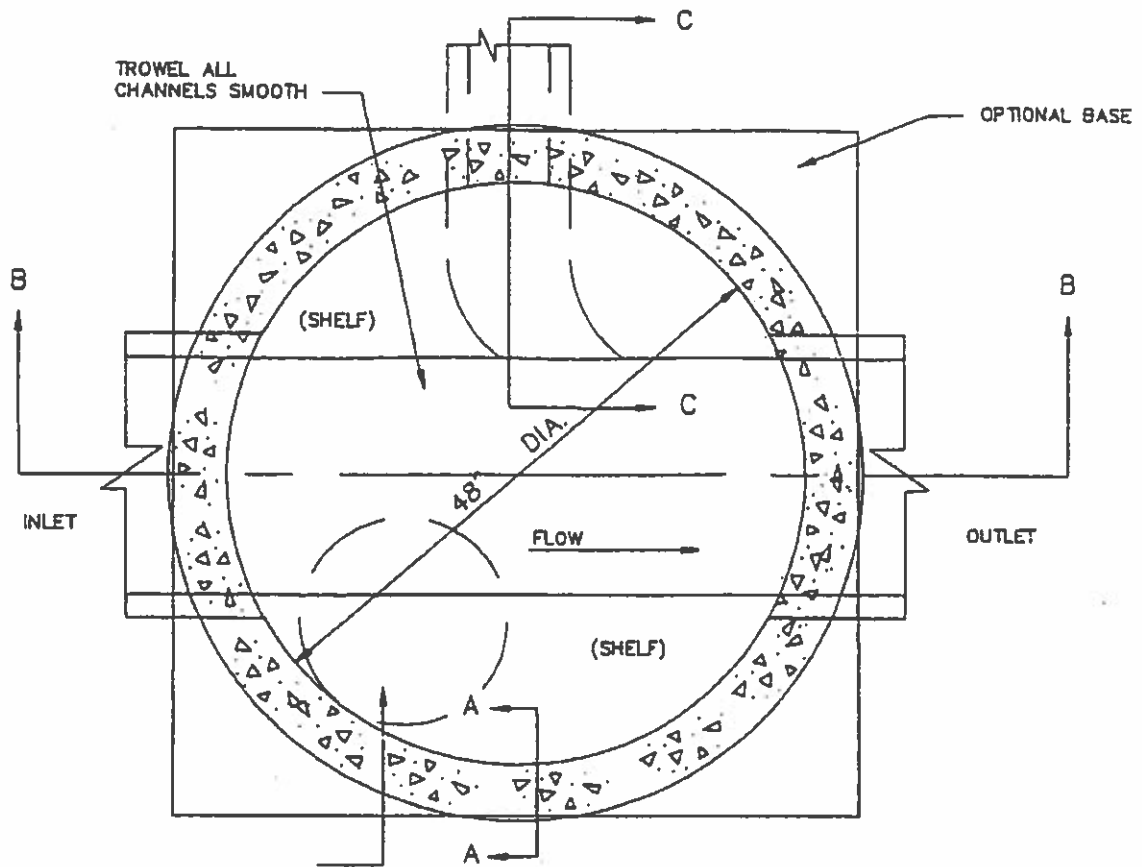


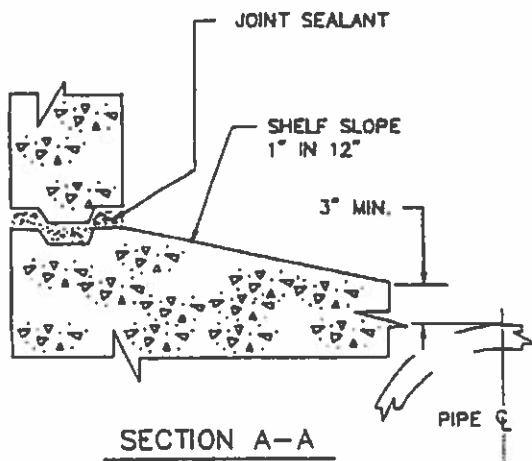
SECTION C SEWER IMPROVEMENTS

- C-1-1 Type 1 Eccentric Manhole Plan View (6" to 33" Diameter)
- C-1-2 Type 1 Eccentric Manhole Cross Section View (6" to 33" Diameter)
- C-1-3 Type 1 eccentric Drop Manhole
- C-2 Manhole Construction Notes
- C-3 Manhole Frame and Cover
- C-4 Manhole Frame and Cover Adjustment to grade Detail
- C-5 Sewer Lateral Detail
- C-6 Sewer Lateral Connection to Main Detail
- C-7 Sewer Clean out Detail



PLAN VIEW

ROTATE MH SECTION TO PROVIDE STEPS OVER SHELF, WHEN INLET PIPE IS 18" OR LARGER.



SECTION A-A

SEE DETAIL C-1-2 FOR STANDARD MANHOLE SECTIONS
 SEE DETAIL C-1-3 FOR DROP MANHOLE SECTION
 SEE DETAIL C-2 FOR CONSTRUCTION AND MATERIAL NOTES

TYPE I ECCENTRIC MANHOLE (6" TO 33" PIPE)

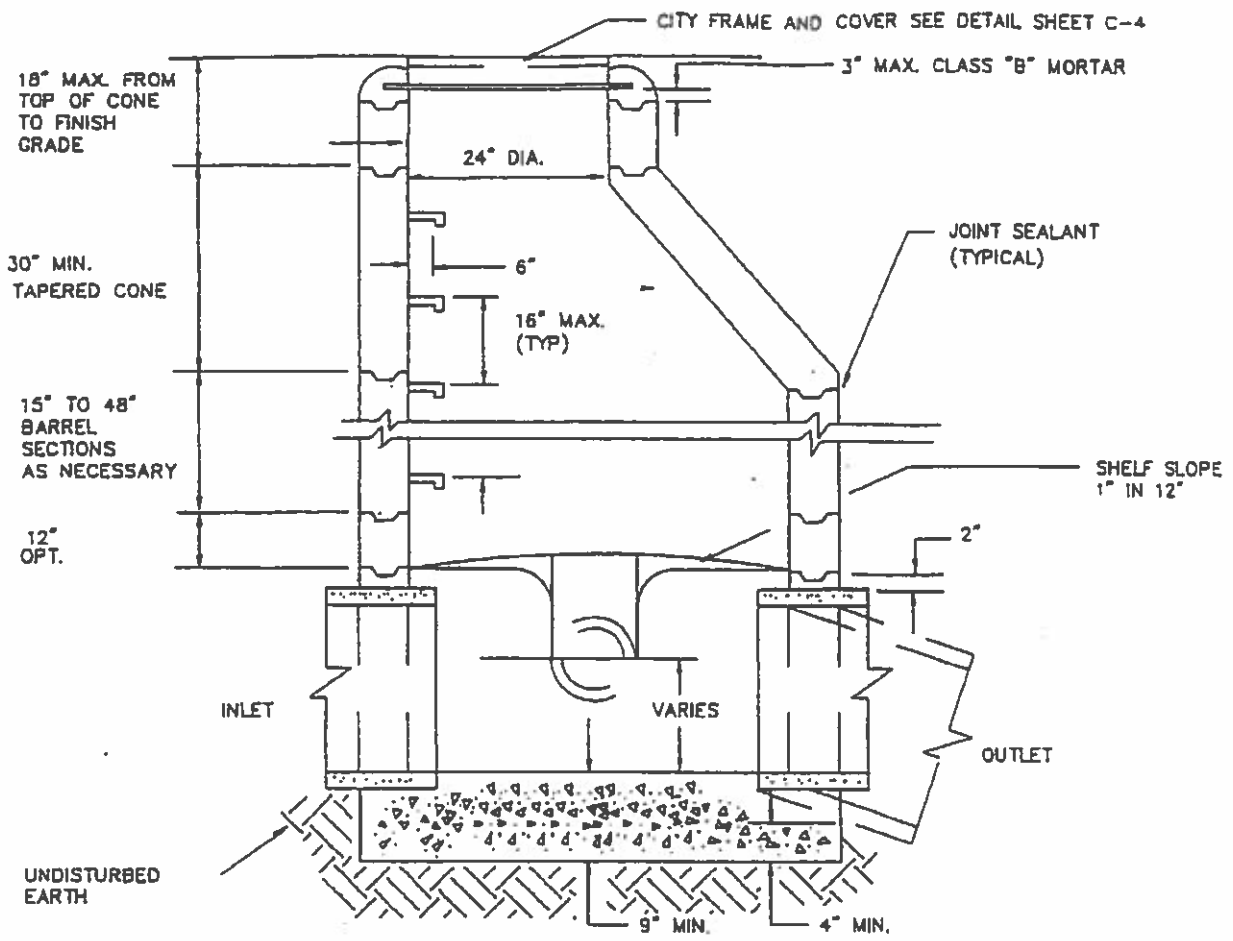
CITY OF SAN JUAN BAUTISTA

STANDARD PLANS

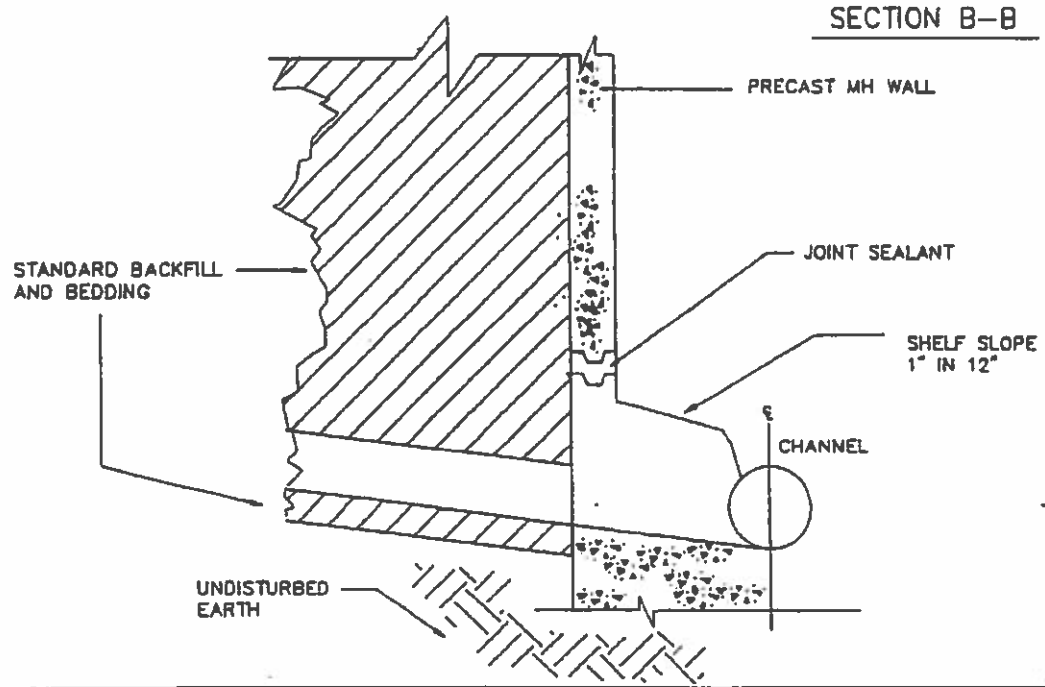
APPROVED:

Man. H. [Signature]

DATE	APRIL 30, 1992
REVISED	
DETAIL	C-1-1 SHEET 1 OF 3



SECTION B-B



SECTION C-C

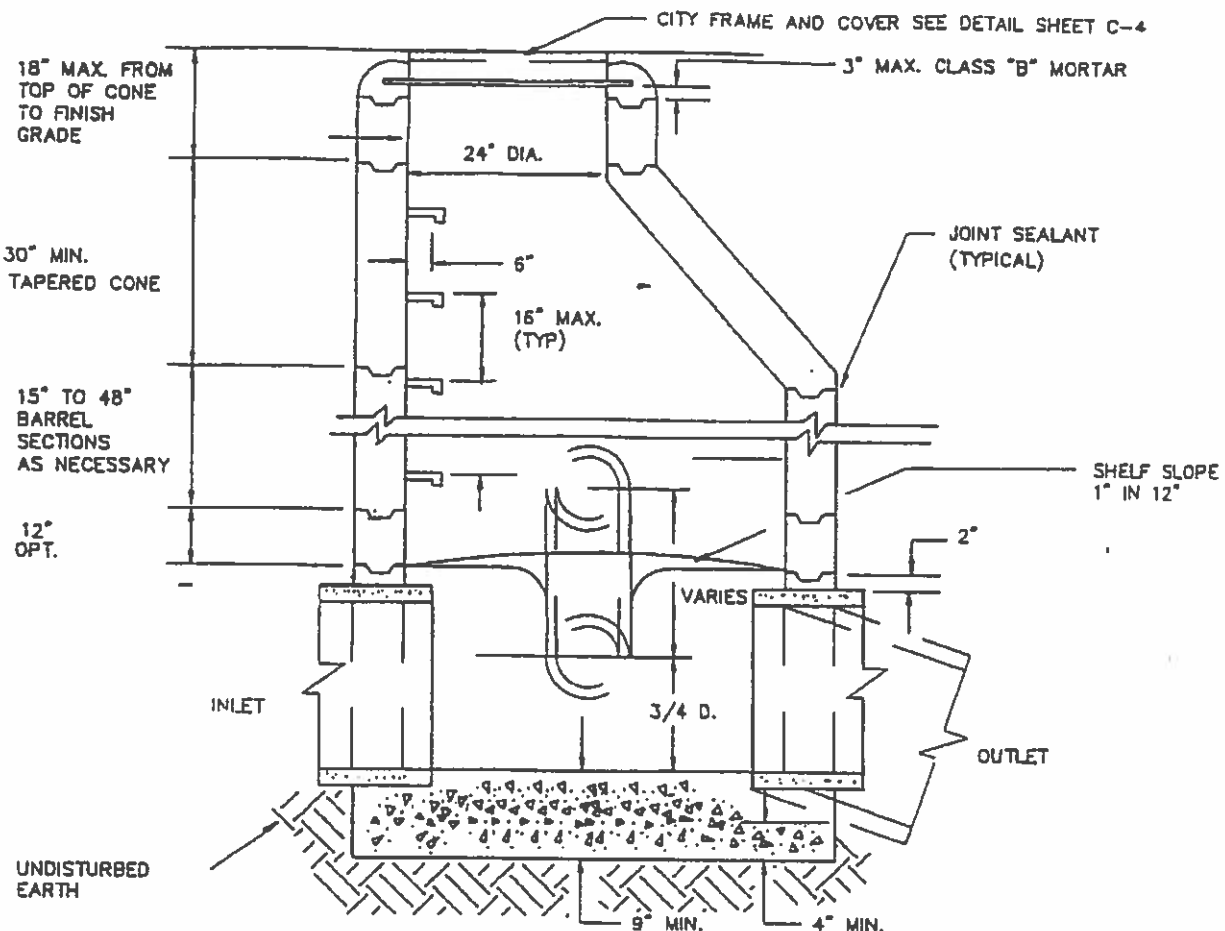
TYPE I ECCENTRIC MANHOLE (6" TO 33")

CITY OF SAN JUAN BAUTISTA

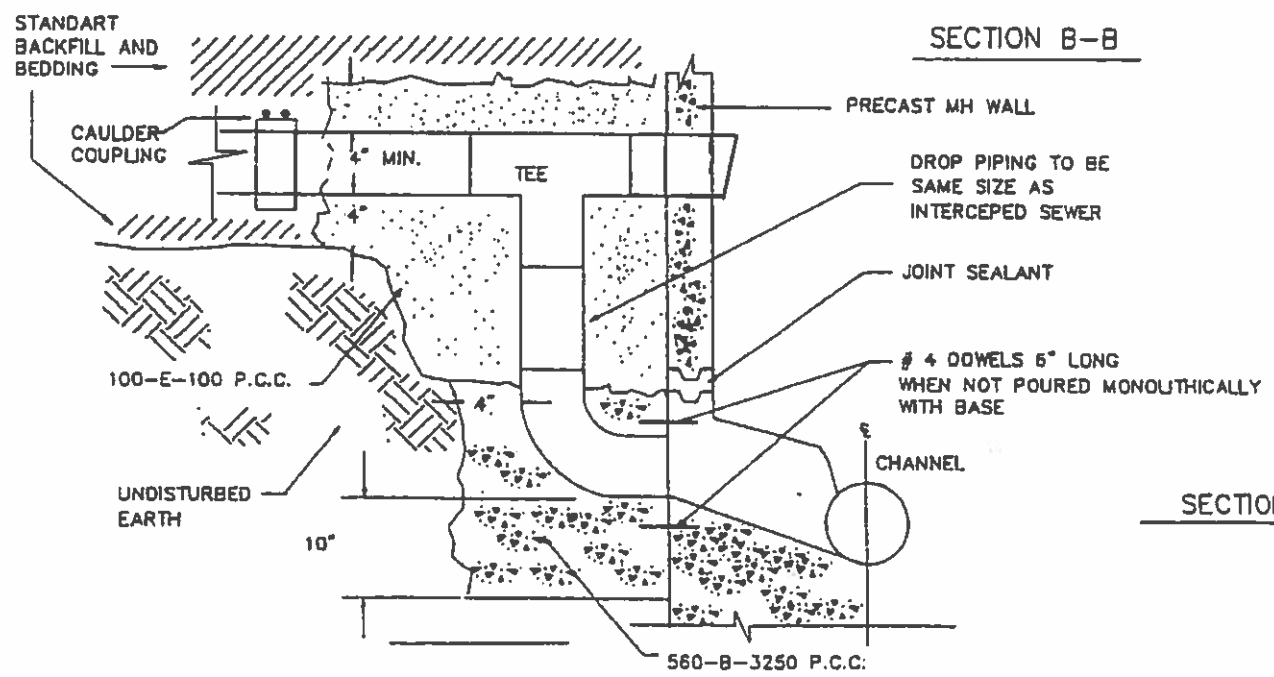
STANDARD PLANS

APPROVED: *[Signature]*

DATE	APRIL 30, 1992
REVISED	
DETAIL	C-1-2 SHEET 2 OF 3



SECTION B-B



SECTION C-C

TYPE I ECCENTRIC DROP MANHOLE (6" - 33")

CITY OF SAN JUAN BAUTISTA
STANDARD PLANS

APPROVED: *[Signature]*

DATE	APRIL 30, 1992
REVISED	
DETAIL	C-1-3 SHEET 1 OF 1

NOTES:

1. EXCEPT AS NOTED HEREON, THE PRECAST UNITS SHALL BE MANUFACTURED AND TESTED IN ACCORDANCE WITH ASTM C 478. AS AN ALTERNATE CURING METHOD, THE UNITS MAY BE CURED USING SATURATED STEAM FOR A MINIMUM OF 12 HOURS, FOLLOWED BY 6 DAYS WATER CURING OR MEMBRANE CURING. IF THE UNITS ARE CURED BY THE ALTERNATE METHOD, THEY SHALL NOT BE SHIPPED PRIOR TO 8 DAYS AFTER CASTING NOR UNTIL THE CONCRETE HAS ATTAINED A STRENGTH OF 3500 P.S.I.

2. MANHOLE STEPS SHALL BE MODEL PS2-PF AS MANUFACTURED BY M.A. IND. OR APPROVED EQUAL. THE MANHOLE STEPS SHALL BE UNIFORMLY SPACED AT A MAXIMUM OF 16" WITH THE TOP STEP PLACED NO MORE THAN 18" UNDER THE MANHOLE FRAME. THE LOWEST STEP SHALL BE PLACED NOT LESS THAN 8" NOR MORE THAN 24" ABOVE THE SHELF. THE TOP STEP IF PLACED IN THE 24" DIAMETER SECTION SHALL PROJECT 5" INSIDE THE MANHOLE AND ALL OTHER 6".

3. RISER SECTIONS AND CONES MAY BE REINFORCED OR UNREINFORCED. REINFORCED SECTIONS AND CONES SHALL BE REINFORCED IN ACCORDANCE WITH ASTM C 478 AND SHALL HAVE A MINIMUM WALL THICKNESS OF 4". UNREINFORCED RISER SECTIONS AND CONES SHALL HAVE A MINIMUM WALL THICKNESS OF 6".

4. JOINTS SHALL BE TONGUE AND GROVE AND SHALL CONFORM WITH ASTM C 478 SECTION 14.

5. AN IMPRESSION RING SHALL BE USED PRIOR TO INSTALLING THE FIRST RISER SECTION. PRECAST UNITS SHALL BE ASSEMBLED USING PREFORMED RAM-NEK JOINT SEALING COMPOUND OR CLASS "B" MORTAR.

6. INSTALL MANHOLE WATER STOP GASKET AND CLAMP ASSEMBLY ON ALL SANITARY SEWER PIPES.

CONSTRUCTION & MATERIAL NOTES

CITY OF SAN JUAN BAUTISTA

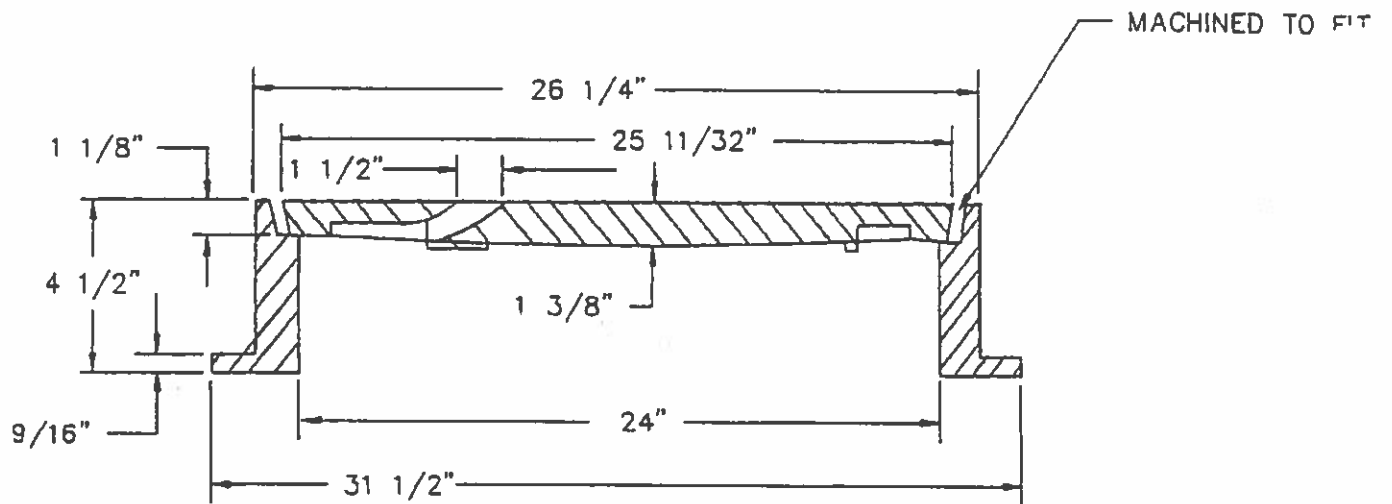
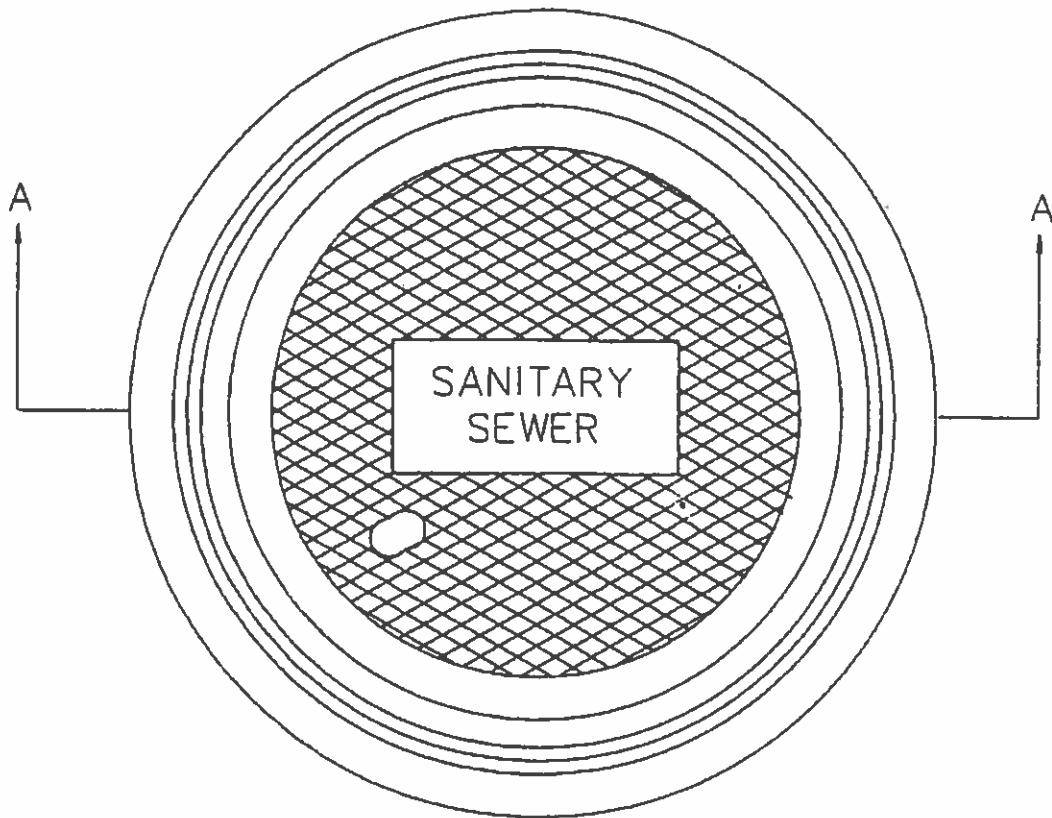
STANDARD PLANS

APPROVED: _____

[Signature]

DATE	APRIL 30, 1992
REVISED	

DETAIL	C-2
--------	-----



SECTION A-A

NOTES:

1. FRAME AND COVER SHALL BE PHEONIX IRON WORKS # P-1090 OR APPROVED EQUAL. DIPPED IN ASPHALT PAINT.
2. SPECIFY "SANITARY SEWER" OR " STORM SEWER" AS APPROPRIATE.

MANHOLE FRAME AND COVER

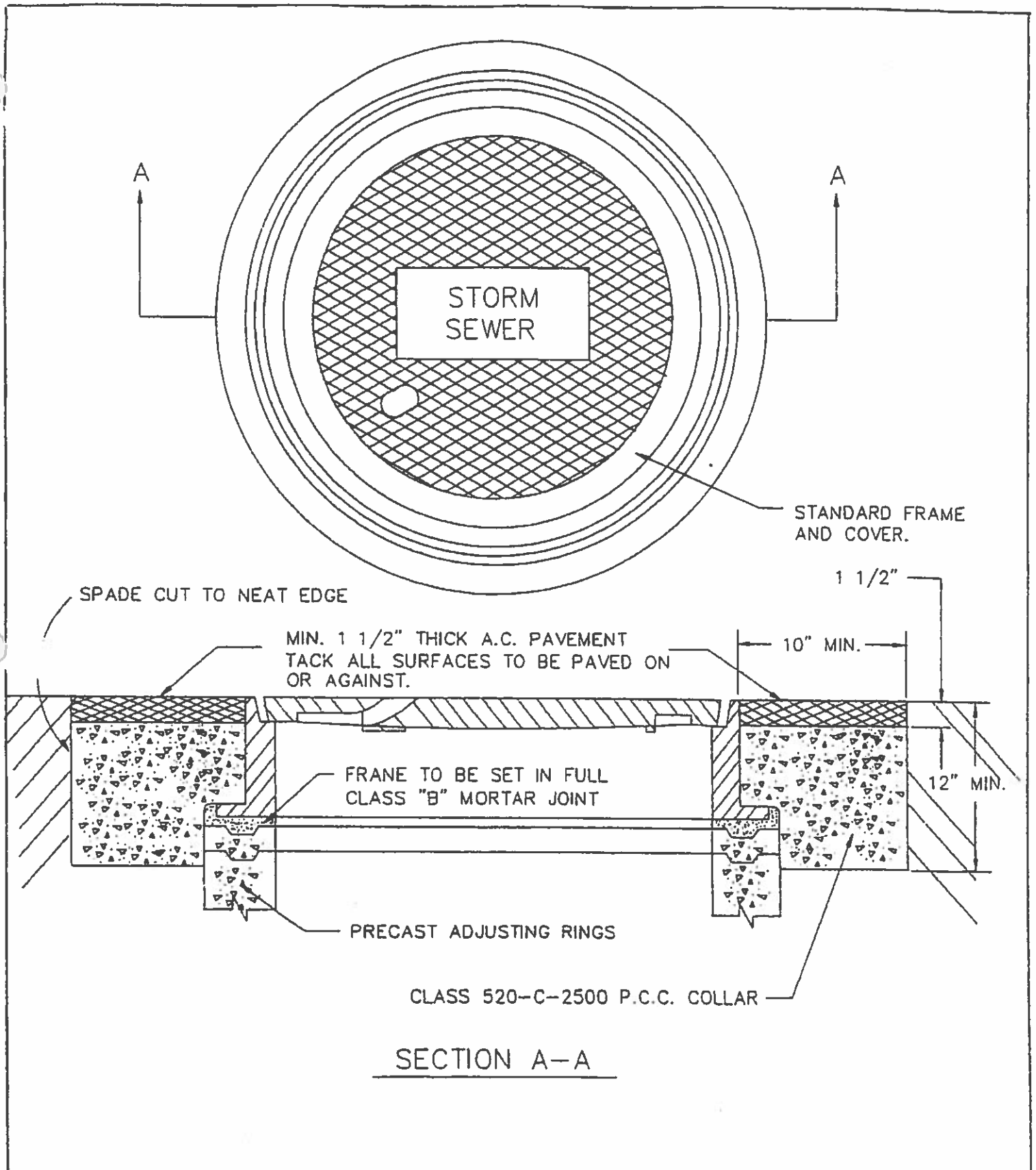
CITY OF SAN JUAN BAUTISTA

STANDARD PLANS

APPROVED: _____

DATE	APRIL 30, 1992
REVISED	

DETAIL C-3 SHEET 1 OF 1



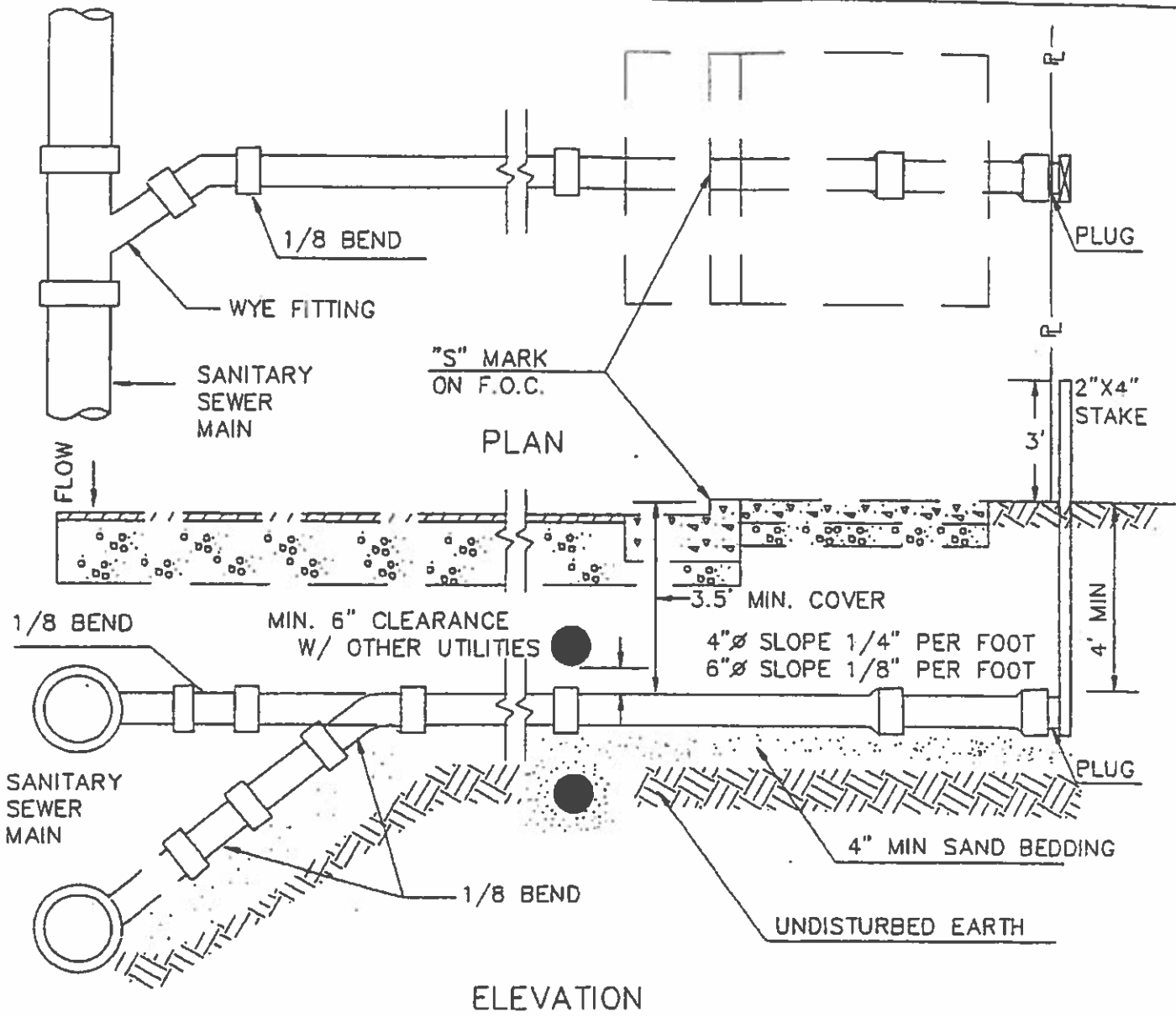
FRAME AND COVER ADJUSTMENT IN PAVEMENT

CITY OF SAN JUAN BAUTISTA

STANDARD PLANS,

APPROVED: *[Signature]*

DATE	APRIL 30, 1992
REVISED	
DETAIL	C-4 SHEET 1 OF 1



NOTES:

1. SEWER LATERALS SHALL BE ABS (SDR 23.5) OR PVC (SHC. 40) PIPE.
2. STAMP OR CHISEL AN "S" ON THE FACE OF CURB AT LATERAL LOCATION.
3. A PRESSURE TREATED DOUGLAS FIR STAKE SHALL BE INSTALLED AT EACH LATERAL TERMINUS. ALL STAKES SHALL BE PAINTED WHITE.
4. ALL SAND BACKFILL SHALL BE COMPACTED TO 90% RELATIVE COMPACTION.
5. ALL SEWER LATERALS SHALL PASS A LOW PRESSURE AIR TEST.

SEWER LATERAL

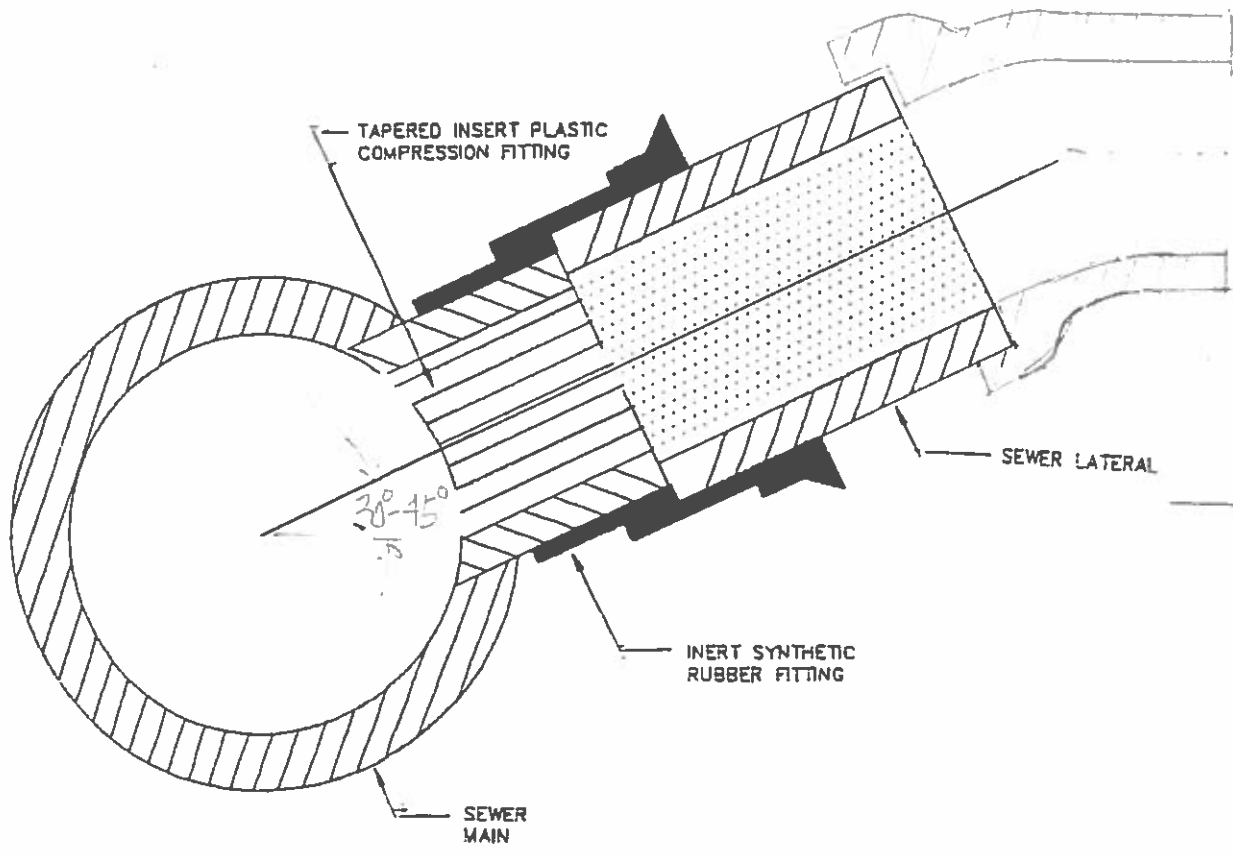
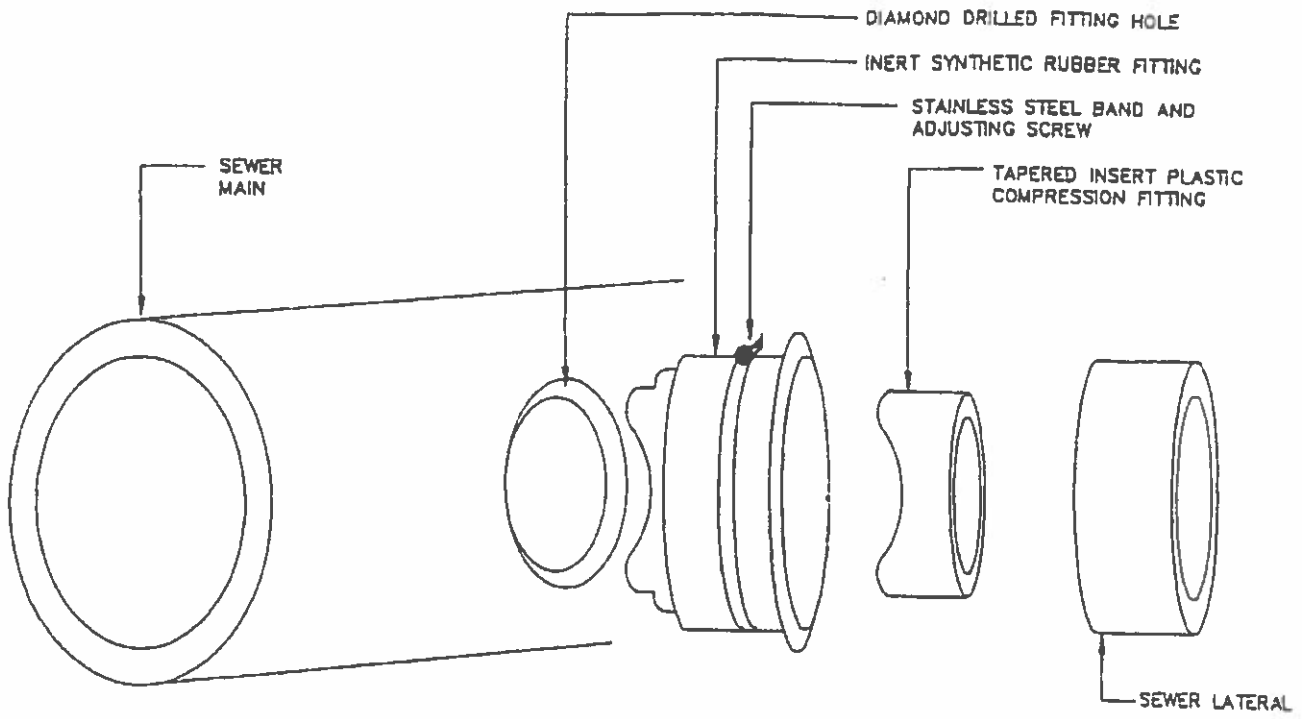
CITY OF SAN JUAN BAUTISTA

STANDARD PLANS

APPROVED: _____

[Handwritten Signature]
JULY 14 2010 09:55 24152-510 12/11/07

DATE	APRIL 30, 1992
REVISED	
DETAIL	C-5 Sheet 1 of 1

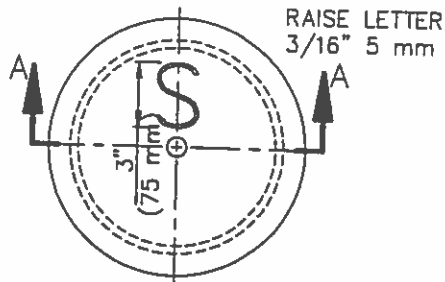


SEWER LATERAL CONNECTION DETAIL

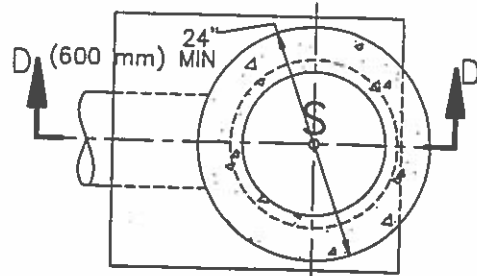
CITY OF SAN JUAN BAUTISTA
STANDARD PLANS

APPROVED: *[Signature]*

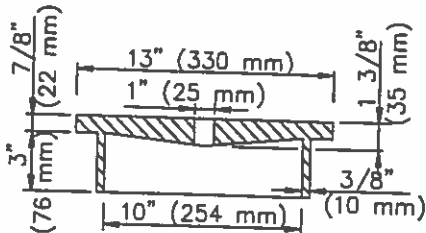
DATE	APRIL 30, 1992
REVISED	
DETAIL	C C



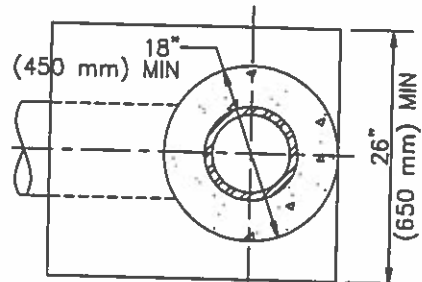
ACCESS COVER



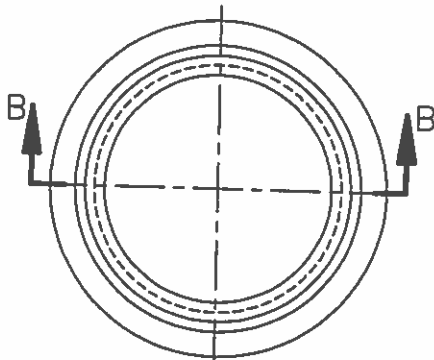
PLAN



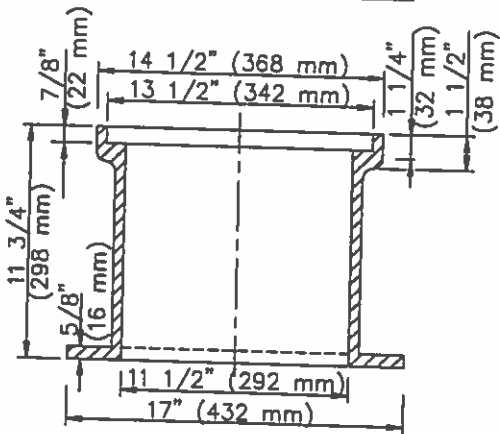
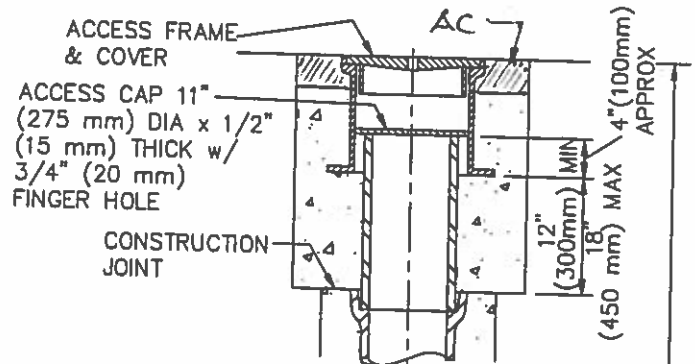
SECTION A-A



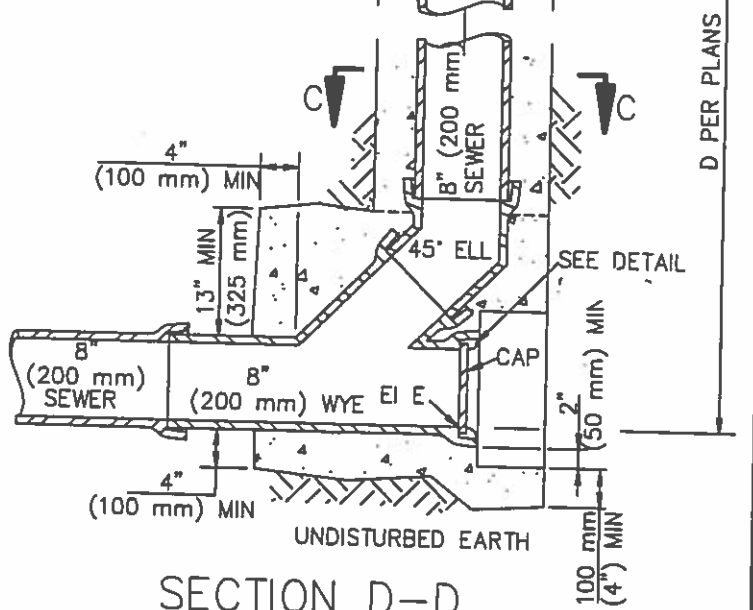
SECTION C-C



ACCESS FRAME



SECTION B-B



SECTION D-D

SEWER CLEAN OUT

CITY OF SAN JUAN BAUTISTA

APPROVED:

ROGER A. GRIMSLEY CITY ENGINEER

DATE

NOV. 2016

REVISED

DETAIL

C-7