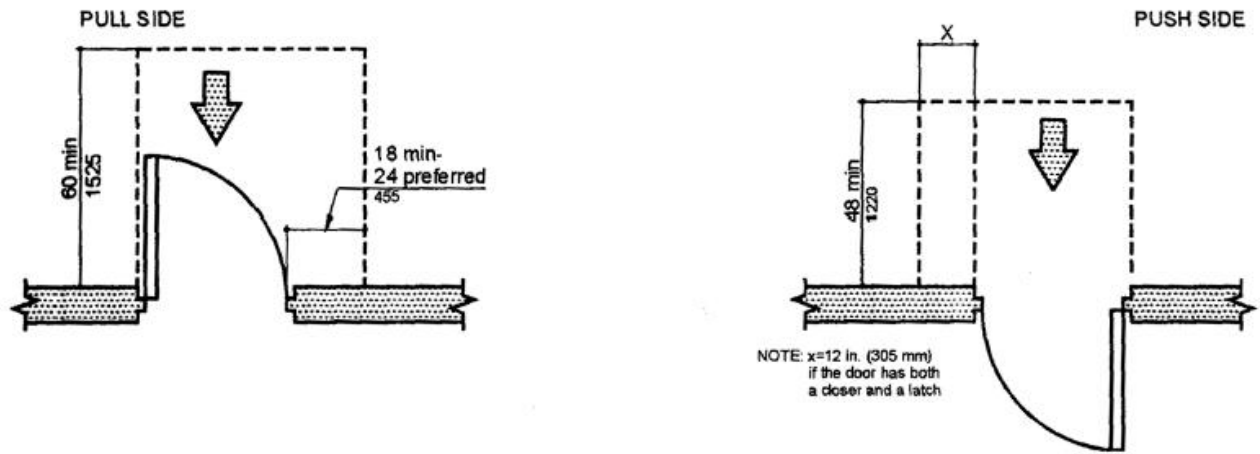
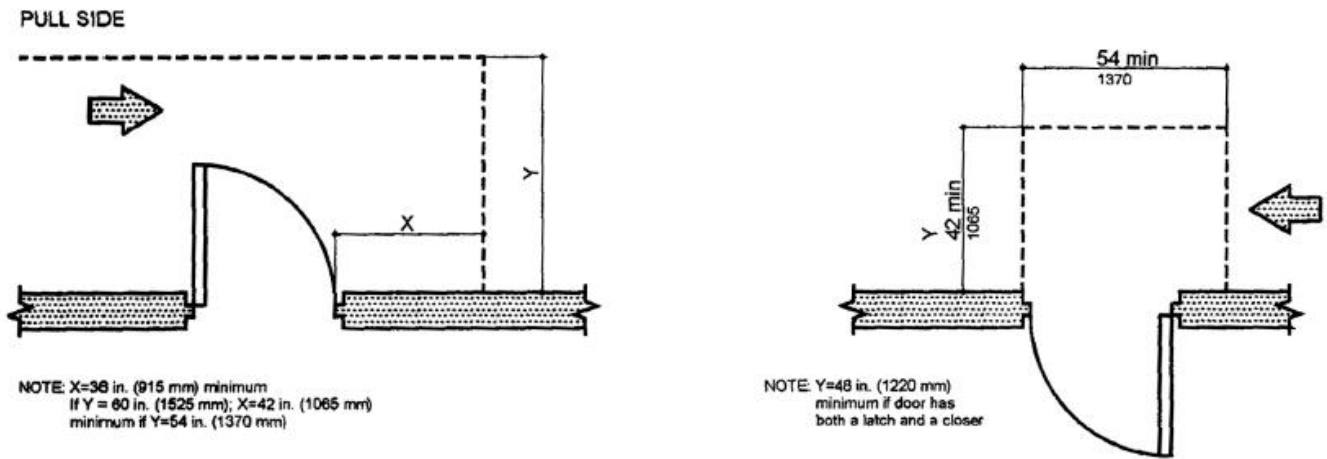


DOORWAYS AND APPROACH



Front Approaches - Swinging Doors

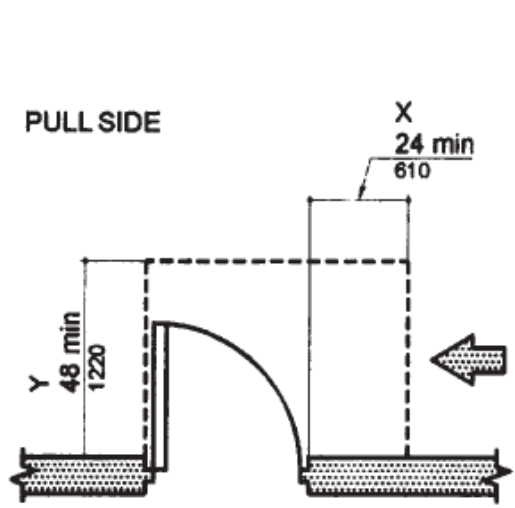


Hinge-side Approaches - Swinging Doors

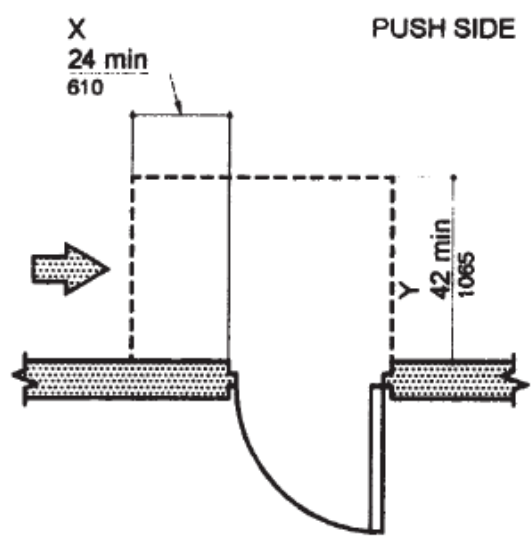
NOTE: All doors in alcoves shall comply with the clearances for front approaches.

NOTES

1. Doorways must have a minimum clear opening of 32" with the door open 90-degrees.
2. Thresholds for doors cannot exceed 1/2" (exterior sliding door thresholds may be 3/4").
3. Door hardware must be easy to grasp and not require pinching or twisting of the wrist.
4. Door opening force cannot exceed 8.5 lb's for exterior hinged doors and 5 lb's for other doors.

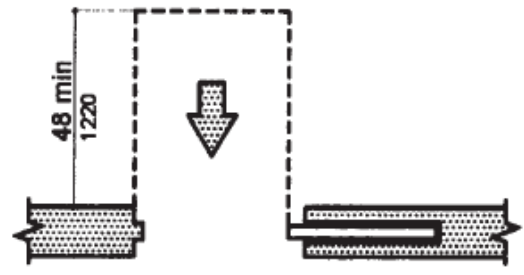


NOTE: Y = 54 in. (1370 mm) minimum if the door has a closer.

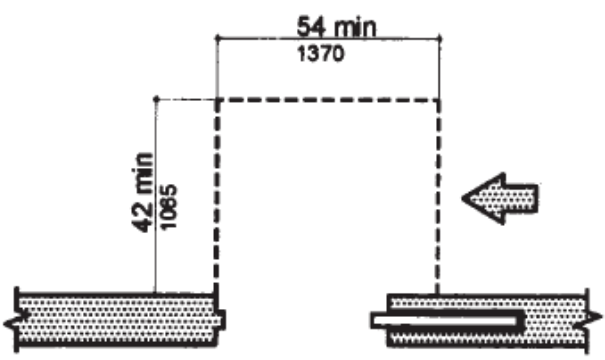


NOTE: Y = 48 in. (1220 mm) minimum if the door has a closer.

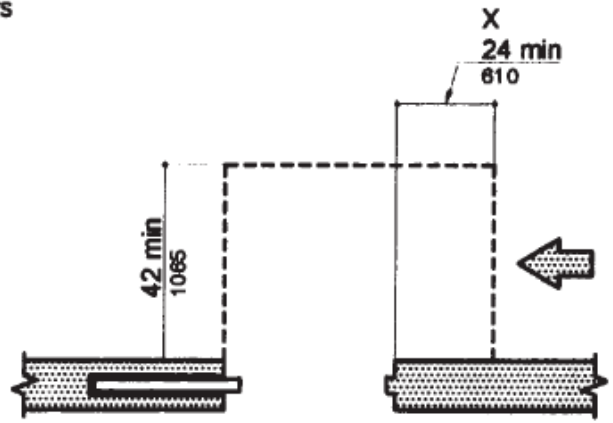
(c) Latch-side Approaches - Swinging Doors



(d) Front Approaches - Sliding Doors and Folding Doors



(e) Slide-side Approach - Sliding Doors and Folding Doors



(f) Latch-side Approach - Sliding Doors and Folding Doors

NOTE: All doors in alcoves shall comply with the clearances for front approaches.