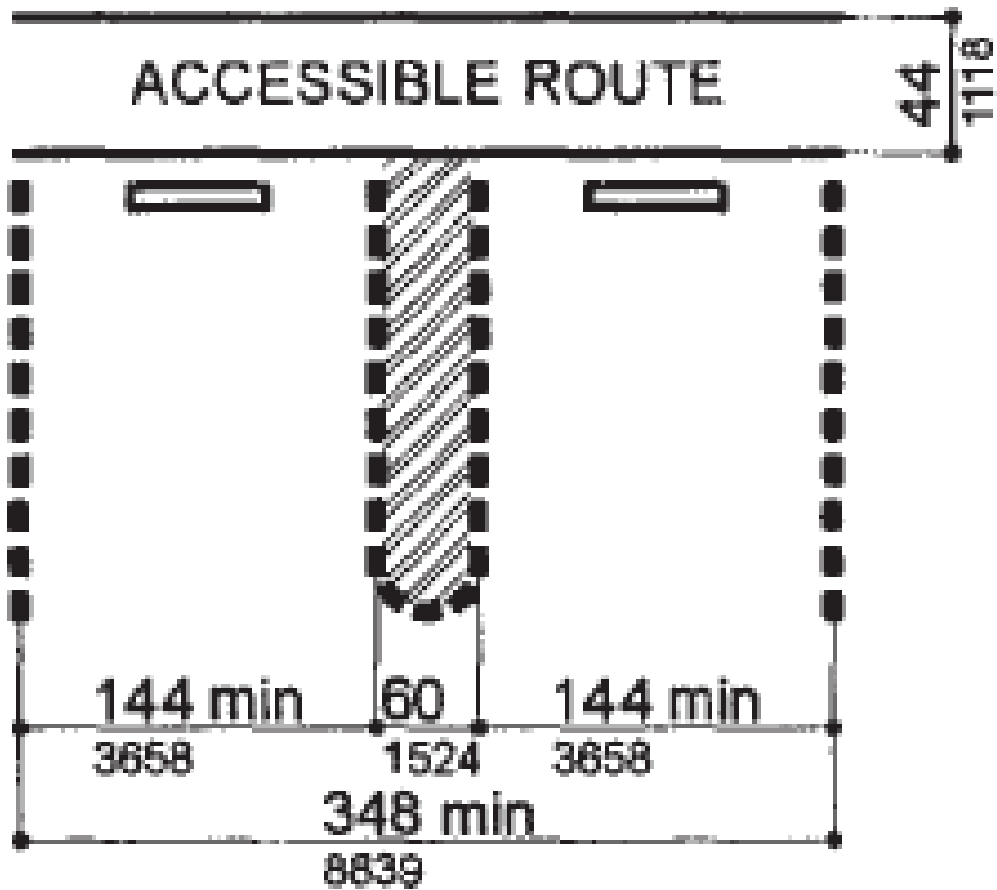


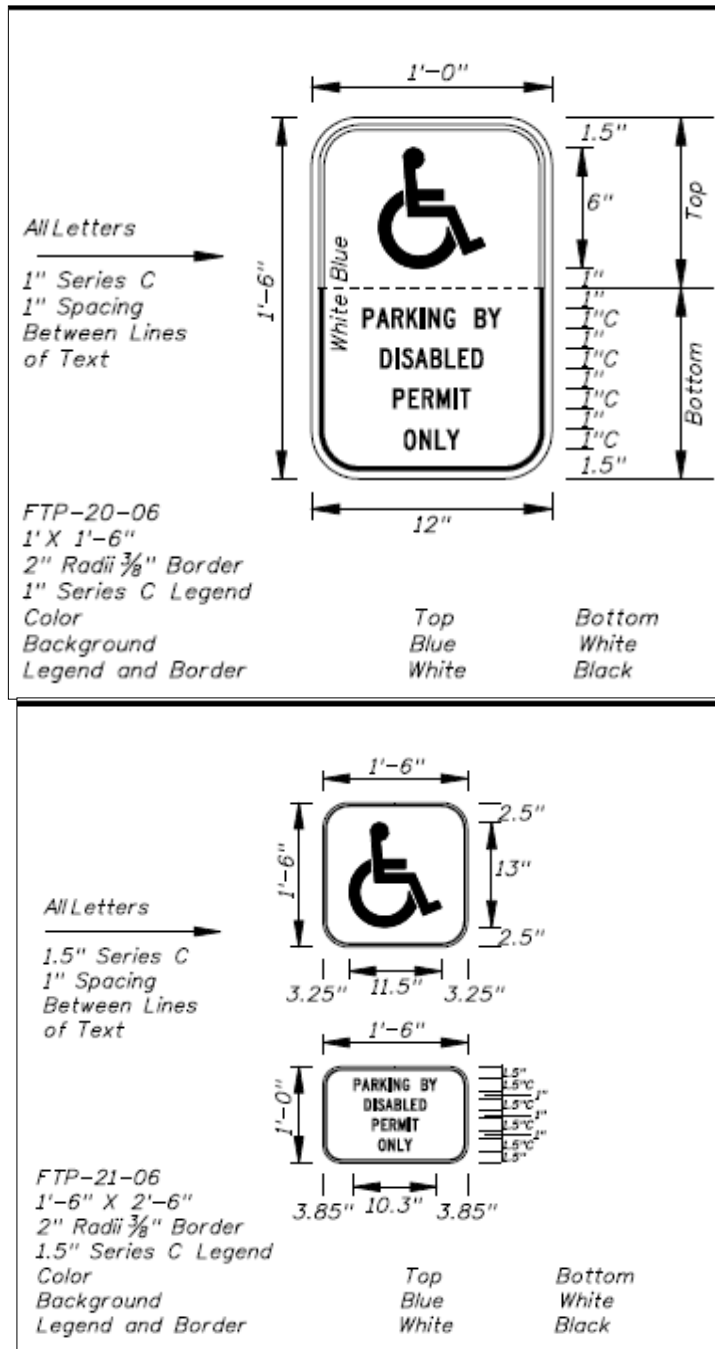
STANDARD PARKING SPACE DESIGN



NOTES

1. Each parking space must be a minimum of 12-feet in width.
2. Parking spaces must be outlined in blue paint.
3. Center access aisle must be a minimum of 5-feet in width.
4. Two parking spaces may share an access aisle.
5. Access aisle must be striped diagonally.
6. Curb ramps must be located outside of access aisle and parking spaces.

PARKING SPACE SIGNAGE

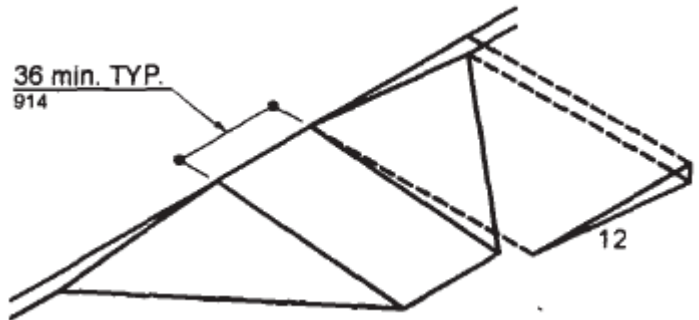
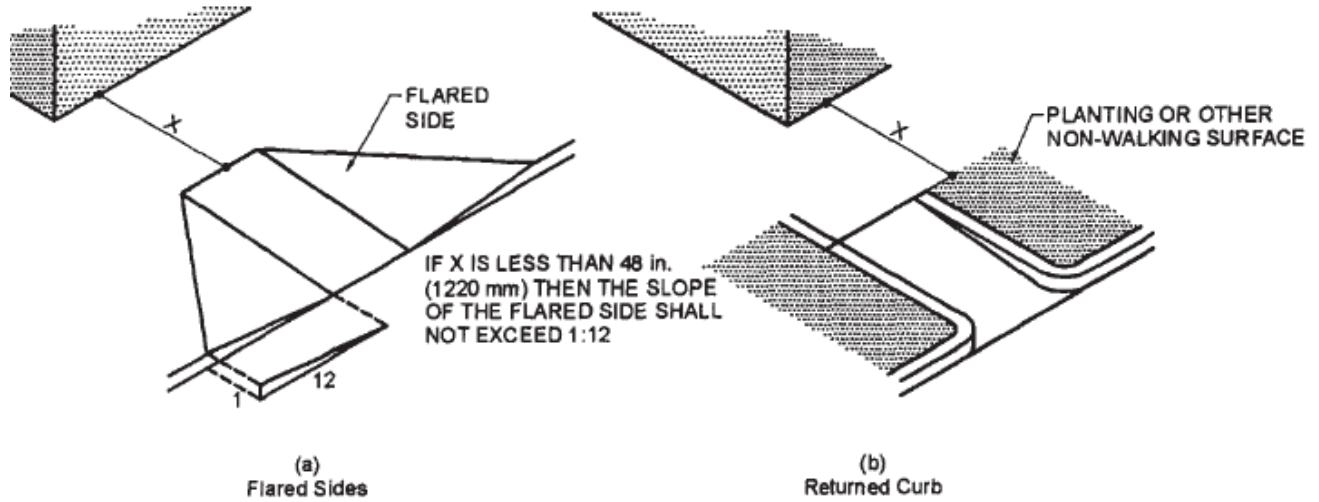


NOTES

1. An accessible parking sign must be placed at each accessible parking space.
2. The signs must conform to the FDOT standards as shown above.
3. The bottom of the sign must be located 7-feet above the ground.
4. Accessible parking signs must state the penalty for illegal use of the space.

CURB RAMP

MEASUREMENT OF CURB RAMP SLOPES



NOTES

1. Must be provided whenever an accessible route crosses a curb.
2. Must be located outside of the access aisle and parking spaces.
3. Minimum width of 44-inches when part of a means of egress.
4. Must have flared sides unless protected by guardrails.
5. Must contain a detectable warning the width & depth of the ramp.