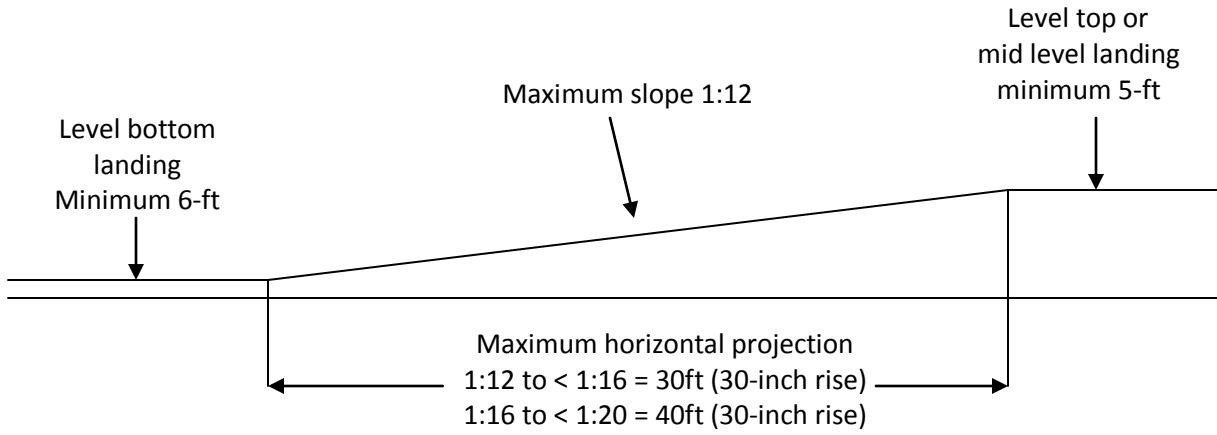
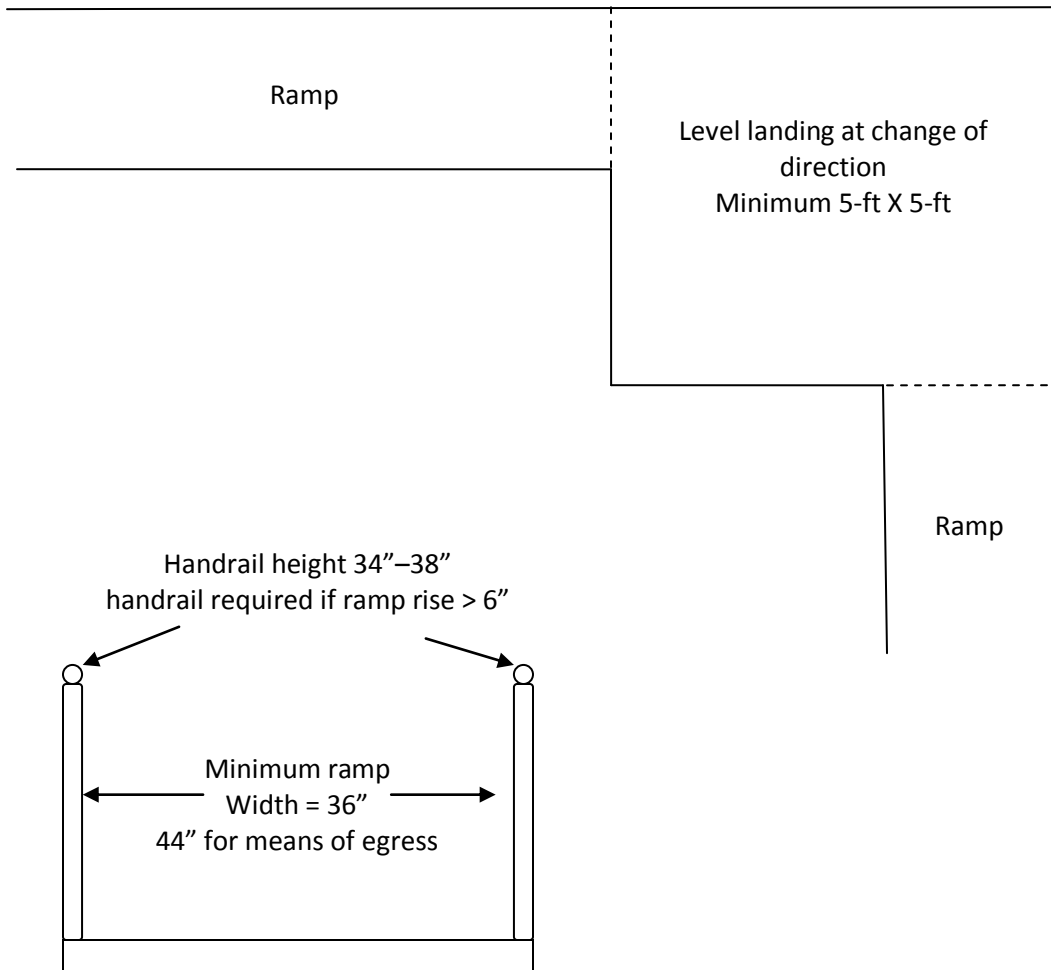


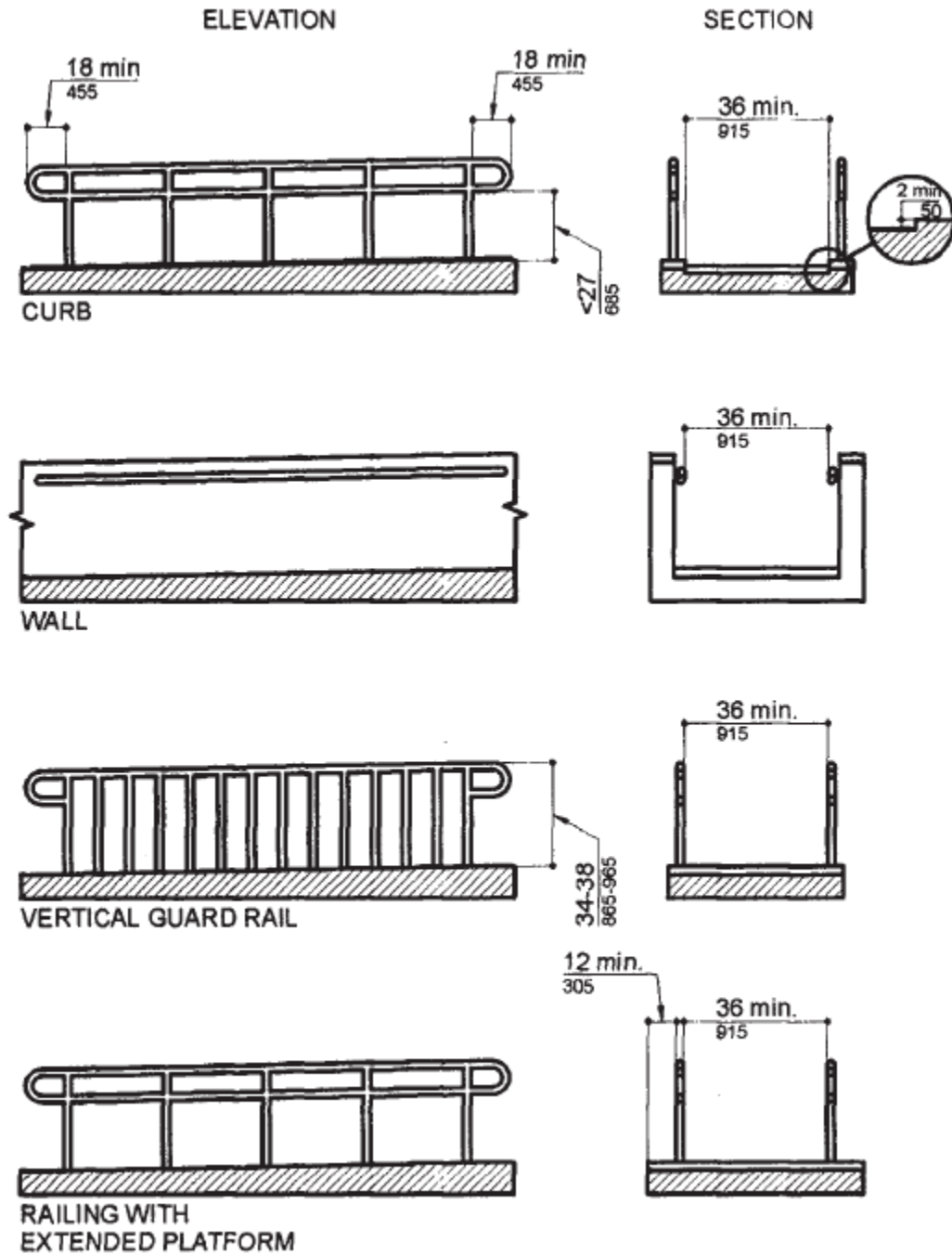
ACCESSIBLE RAMP



CHANGE OF DIRECTION



COMPONENTS OF A SINGLE RAMP RUN AND SAMPLE RAMP DIMENSIONS



NOTES

1. Rise greater than 30" above grade requires vertical guardrail with less than 4" spacing.
2. Handrails must extend 18" beyond sloped ramp at top and bottom landing.
3. Handrails must allow a 1-1/2" space between handrail and wall surface.
4. Handrails are required on both sides of ramp.