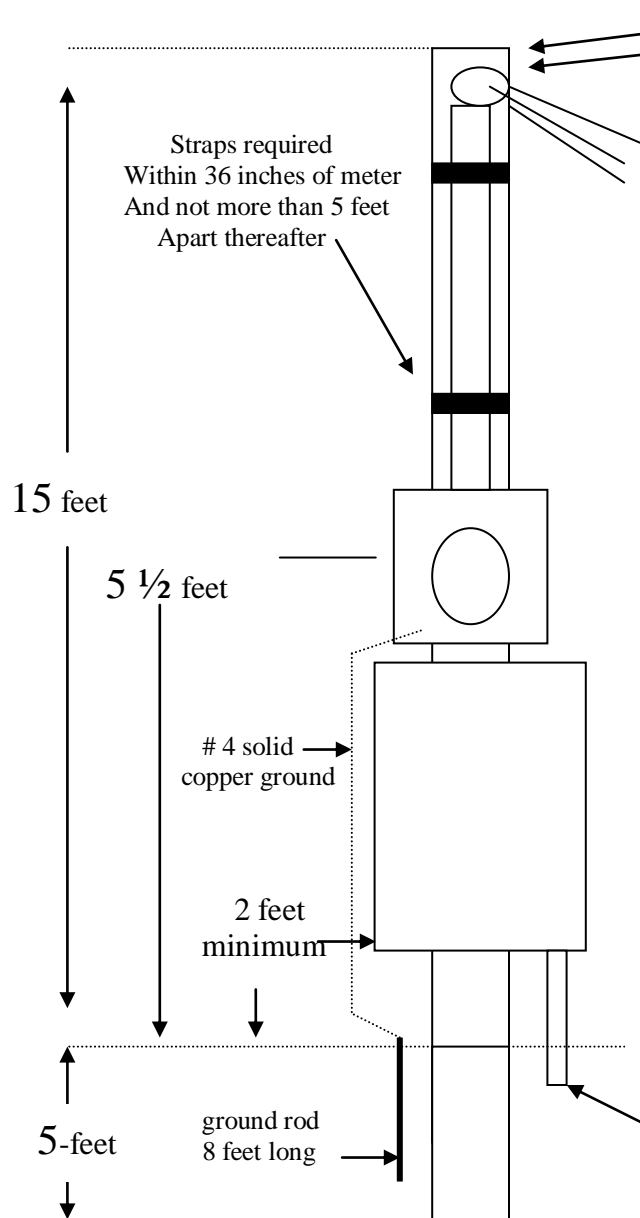


TAYLOR COUNTY BUILDING DEPARTMENT

(Consult with power company serving site about pole location)



SERVICE CONDUCTOR SIZES (TO MOBILE HOME) COPPER

	100 AMP	150 AMP	200 AMP
HOT	# 4	# 1	2 / 0
NEUTRAL	# 6	# 2	1 / 0
GROUND	# 8	# 6	# 6

ALUMINUM (anti-corrosion compound must be used)

	100 AMP	150 AMP	200 AMP
HOT	# 2	2 / 0	4 / 0
NEUTRAL	# 4	1 / 0	2 / 0
GROUND	# 6	# 4	# 4

MOBILE HOME SERVICE EQUIPMENT

1. Feeder to mobile home must consist of 4 wires. (2 hots, 1 neutral, 1 ground)
2. Leave ground rod/clamp connection exposed until inspection.
3. 100 amp homes fed from a 200 amp panel must have a 100 amp breaker installed in the outside panel.
4. Backfed main breakers must be secured in place.
5. Power pole must be within 30 feet of mobile home.
6. Neutral and ground in home **do not** go to the same bus. Ground (4th) wire should go to the ground bus (one with the bare / green wires on it).
7. Wiring under home must be in conduit (PVC is acceptable) and be strapped to the mobile home frame. Conduit run on ground will **not** be approved.
8. All unused openings in panel must be closed with hole plugs or panel blanks. Tape will not be accepted.
9. Receptacles on pole must be GFCI protected. (110 volt, 15 or 20 amp)

Burial depth 18 inches if in PVC. 24 inches for direct burial wire (must be in conduit down to 18 inches below grade). White PVC is not acceptable below ground.