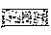


Single Family Residential One Story Detached Garage

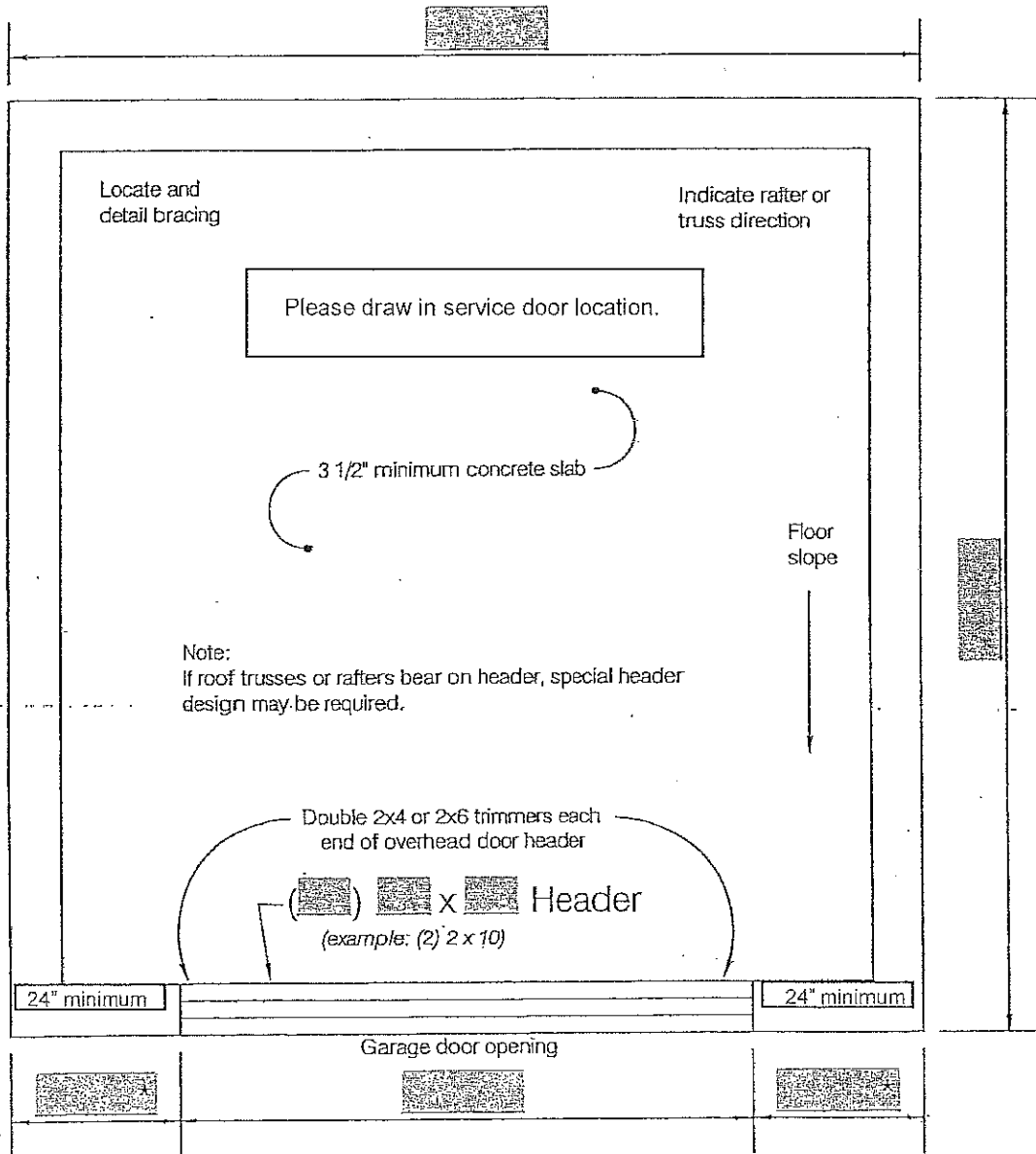
Address: _____

Directions

1. Fill in the blanks () with dimensions and materials which will be used to build the structure. Please print legibly.

Check one: Garage is heated Garage is not heated

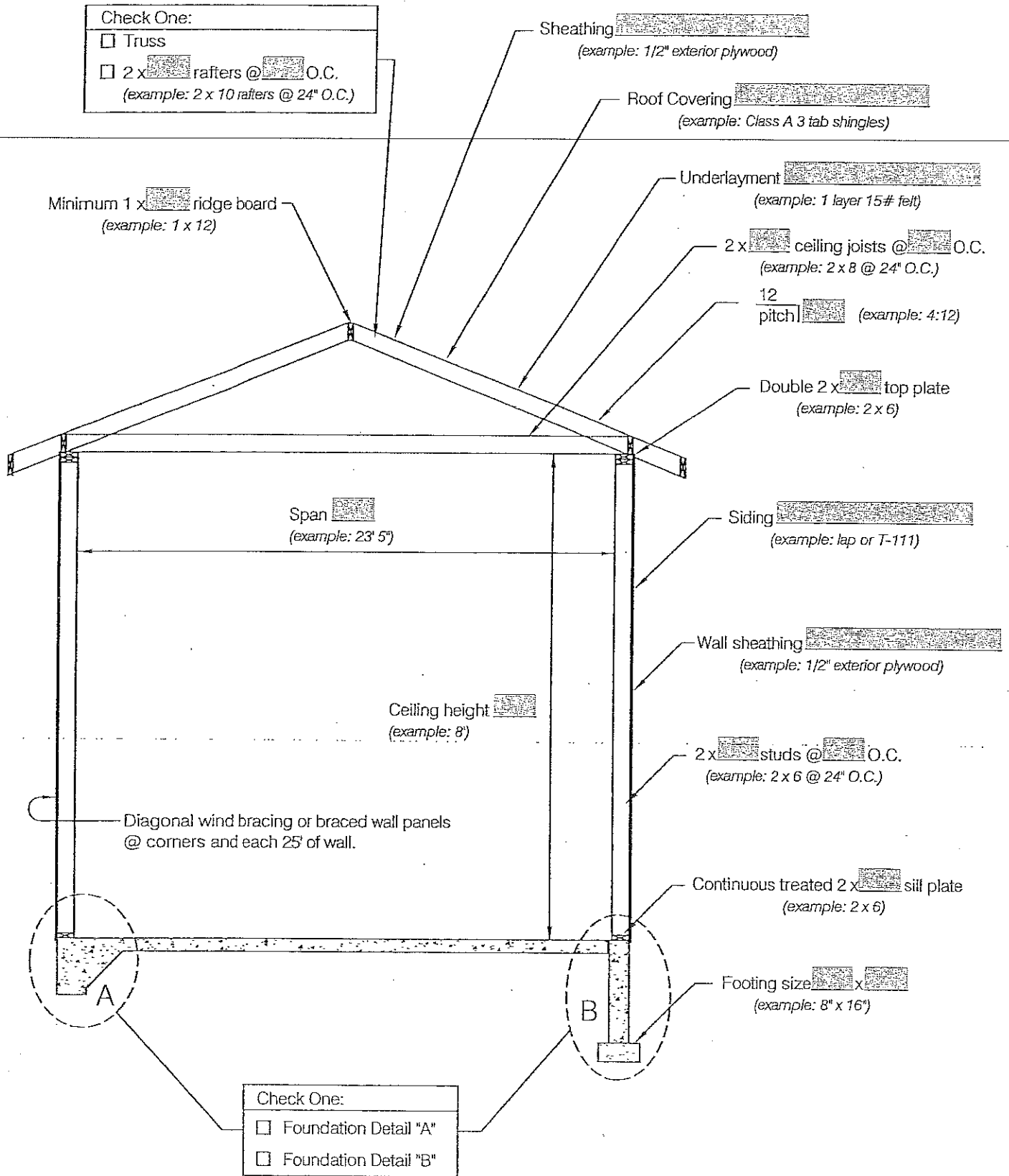
Note: Heated garages may require special provisions.



Attention: 24 " MINIMUM distance between edge of garage door framing and outside of side of plywood on side wall is required. An Entry door may not fit on the front of the garage depending on area available!

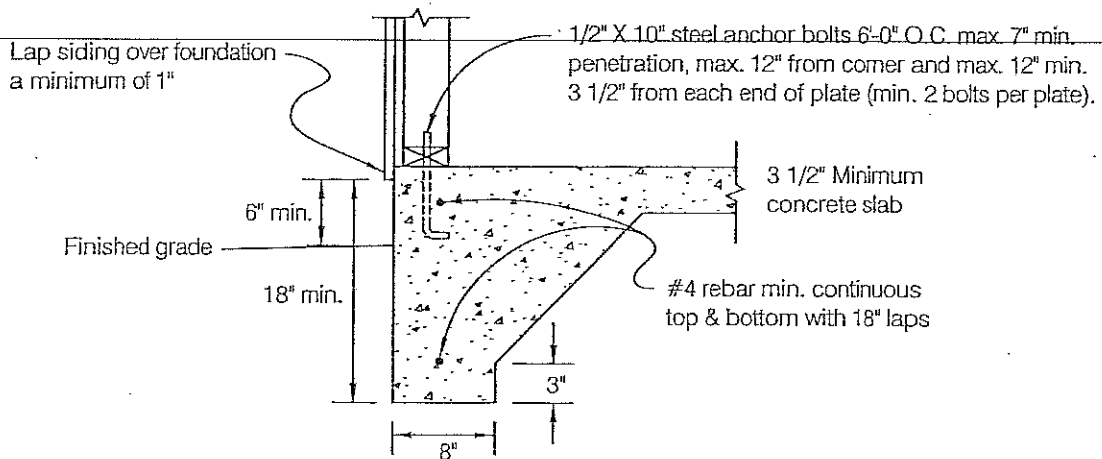
Single Family Residential One Story Detached Garage

Note: For roofs with slopes less than 4:12, follow manufacturer's instructions for low slope application of roofing materials.

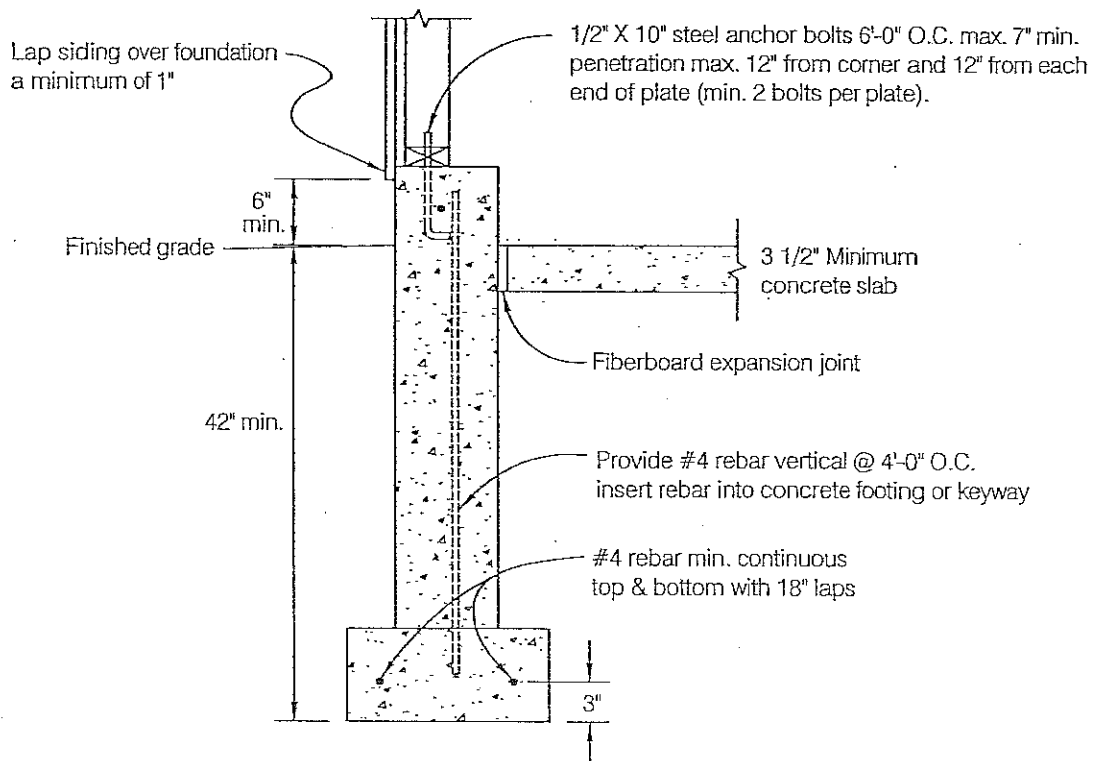


This handout was developed by the City of Waterloo Building Department to help in the building of your project. It is not intended to cover all circumstances of your project but as a guide. For further information contact the Building Department.

Single Family Residential One Story Detached Garage



FOUNDATION DETAIL "A"



FOUNDATION DETAIL "B"